

 **AVENGER**

CINE SUPPORT
SOLUTIONS



 **AVENGER**

Manfrotto is a worldwide market leader in the **design, production and distribution of professional supports for the imaging industry**, with a particular expertise in the sectors of photography, video, cinematography and entertainment. Founded in 1972 and based on Lino Manfrotto's experience in the field, the company's mission has always been to support and simplify the work of reporters, photographers and producers.

An all-Italian history and tradition

At the end of the 60's Lino Manfrotto was a photo reporter in Bassano del Grappa for *Il Gazzettino* and *Il Giornale di Vicenza*. He was also engaged in industrial and advertising photography. The photographer's studio equipment was cumbersome and heavy and did not facilitate the work of professionals. The market offered a wide range of studio flash-units and quartz illuminators, but completely neglected basic accessories such as stands, booms and clamps. Thus, with the help of a collaborator, **Lino Manfrotto realized his first products**, including a **light and sturdy lamp stand**, that was finally high enough. For a couple of years he produced just a few pieces to meet the needs of his photographer friends. Later, he decided to present them on an international level, obtaining his first significant order from a Swiss distributor. The garage became a production workshop. Just there, the first Manfrotto booms, telescopic rods and other stands were manufactured. He soon realized that the production capacity was insufficient to address all the orders from customers.

The 70's

In 1972 Lino Manfrotto met Gilberto Battocchio, a technician working for a Bassano mechanical firm. The commercial and product soul had met his technical counterpart. It was an all-important moment.

Battocchio's arrival turned Lino's products into three-dimensional solutions. The two made a great team, and within just a few short years they had created a leading enterprise on a world level.

In 1974 the first Manfrotto tripod was launched. Innovative, light and versatile, Manfrotto tripods and stands achieved success in many markets. Articles such as the Superboom, Autopole®, and Superclamp® became an important part of every photographic studio all over the world.

The beginning of Avenger

In 1988 the Avenger brand was established and started production in Feltre, responding to the needs of photo and cine markets. Avenger range of products, including stands, clamps, grips, light modifiers and accessories have been designed in consultation with key cine industry professionals delivering the right combination of quality and performance to meet the exacting demands of the motion picture industry.

Our products are built tough, to withstand extreme use whether in the studio or on location including, rough atmospheric conditions. Avenger grip's mission is to be your "problem solver" our well known products **Strato Safe** and **Long John Silver** are just 2 examples of items designed and built to meet a specific need of the industry. Safety is a No1 priority at Avenger, our world class research and development team ensures our products meet and exceed the internationally recognised safety standards such as DIN 56950, TÜV, ISO9001 and ISO14001. Service to our customers both before and after sales is essential. We have a worldwide network of distribution partners supporting you from the selection of products through to providing spare parts when required.

We hope you find this catalogue a useful tool and remind you to visit our web site at www.avengergrip.com for the latest updates on products.

At Avenger our primary concern is to make the highest quality, most reliable and safest products for you to use. As such we embrace several different quality assurance regimens TÜV, DIN & CE. These acreditations are your guarantee that our products meet and exceed the most exacting tests for safety and reliability.

TÜV SÜD Certification Mark assures quality. Within our collection you will notice some products that are certified with TÜV SÜD. TÜV SÜD is a globally recognised, leading independent product Certification Body, providing minimum performance standards, certification and approval schemes for a wide range of products whether mandatory or voluntary. TÜV SÜD's distinctive blue octagon mark is instantly recognised everywhere as a symbol of quality and safety. We have chosen to have our product tested for compliance with the technical requirements of their voluntary standards, it is important to note that TÜV regularly updates the standards and we recheck our equipment for compliance, making modifications as and when required. Our commitment to your safety never diminishes and is a key differentiator of the Avenger brand from others in the market.

As company we also comply to the **DIN 56950**.

This safety standard applies to machinery and machinery installations used in places of assembly and in staging and production facilities for events and theatrical productions (stage machinery, for short).

Such facilities include: theatres, multi-purpose halls, exhibition halls; film, television and radio studios.



All Avenger products are designed, engineered and made in Italy.

PRODUCTS

STANDS

6

LIGHT CONTROL

38

SYSTEMS

50

ACCESSORIES

80



STANDS





Aluminum and Steel versions available. Alu Stand for lightness and steel stand for robustness and durability.



Levelling leg available in all the stands for ease of use on all different floor types. A fundamental feature for outdoor applications.



All the components are assembled using bolts (no rivets) for extra rigidity and easy maintenance if required.



Captive handle: thanks to this special machining on the threads, it is impossible to loose the handle even if completely unscrewed.



Captive collars: thanks to a special design, even if the user unscrews the locking nut, of this component the inner alu insert and dedicated machining of the tube does not allow for the column to separate.



Storing Device: this clever component permits easy and safe storage during transportation or in the warehouse.



Mobile Column: thanks to the double handles on the spider casting, the stand becomes more stable when lowering the central column on to the ground.



Dedicated design of the collars. It avoids any fingers pinching.



All the bases are made of square tubes in order to guarantee the best stability.



Welded spigot (steel version) guarantees the highest mechanical performance and reliability during the products working life.

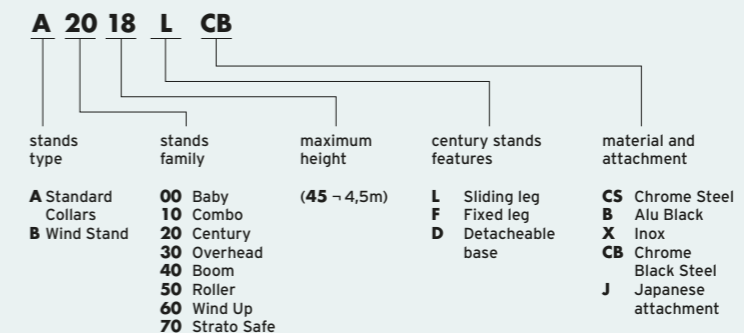


All the strategic aluminum components which have to guarantee safety of the product are made using the Gravity Casting technology. This process excludes any possibility of having air bubbles getting into the casting.



All the aluminum columns are assembled using electro-welded tubes. These components offer a higher stress resistance (bending and breaking) compared with the traditional extruded tubes.

HOW TO READ THE STAND CODES



CENTURY STANDS



A2016DCB

DETACHABLE / TURTLE BASE

A2016D C-STAND 16 DETACHABLE CHROME FINISH VERSION

84cm 33.1in	155cm 61in	84cm 33.1in	95cm 37.4in	5,6kg 12.3lb
10kg 22lb	28mm 1" 1/8	16mm 5/8"	28mm 1" 1/8	

Chrome plated steel stand.
3 sections, 2 risers. Ø: 35, 30, 25mm. Leg Ø: 25mm.

A2022D C-STAND 22 DETACHABLE CHROME FINISH VERSION

110cm 43.3in	222cm 87.4in	110cm 43.3in	95cm 37.4in	5,9kg 13lb
10kg 22lb	28mm 1" 1/8	16mm 5/8"	28mm 1" 1/8	

Chrome plated steel stand.
3 sections, 2 risers. Ø: 35, 30, 25mm. Leg Ø: 25mm.

A2030D C-STAND 30 DETACHABLE CHROME FINISH VERSION

134cm 52.8in	300cm 118.1in	134cm 52.8in	95cm 37.4in	6,2kg 13.7lb
10kg 22lb	28mm 1" 1/8	16mm 5/8"	28mm 1" 1/8	

Chrome plated steel stand.
3 sections, 2 risers. Ø: 35, 30, 25mm. Leg Ø: 25mm.

A2016DCB C-STAND 16 DETACHABLE BLACK CHROME FINISH VERSION

A2022DCB C-STAND 22 DETACHABLE BLACK CHROME FINISH VERSION

A2030DCB C-STAND 30 DETACHABLE BLACK CHROME FINISH VERSION

* Please note: the Japanese versions of the stands have a 17,5mm female top attachment



17,5mm

A2018F C-STAND 18 CHROME FINISH VERSION

84cm 33.1in	175cm 68.9in	84cm 33.1in	95cm 37.4in	4,3kg 9.5lb
8kg 17.6lb	16mm 5/8"			

Chrome plated steel stand.
3 sections, 2 risers.
Ø: 35, 30, 25mm. Leg Ø: 25mm.

A2018F



A2018L C-STAND 18 SLIDING LEG CHROME FINISH VERSION

84cm 33.1in	175cm 68.9in	84cm 33.1in	95cm 37.4in	4,3kg 9.5lb
8kg 17.6lb	16mm 5/8"			

Chrome plated steel stand.
3 sections, 2 risers. Ø: 35, 30, 25mm. Leg Ø: 25mm.

A2018LCB C-STAND 18 SLIDING LEG BLACK CHROME FINISH VERSION

A2018LJ C-STAND 18 SLIDING LEG CHROME FINISH JAPANESE VERSION*

A2018LJCB C-STAND 18 SLIDING LEG BLACK CHROME FINISH JAPANESE VERSION*

A2025F C-STAND 25 CHROME FINISH VERSION

110cm 43.3in	253cm 99.6in	110cm 43.3in	95cm 37.4in	5kg 11lb
10kg 22lb	16mm 5/8"			

Chrome plated steel stand.
3 sections, 2 risers. Ø: 35, 30, 25mm. Leg Ø: 25mm.



A2018L

A2025L C-STAND 25 SLIDING LEG CHROME FINISH VERSION

110cm 43.3in	253cm 99.6in	110cm 43.3in	95cm 37.4in	5,8kg 12.8lb
10kg 22lb	16mm 5/8"			

Chrome plated steel stand.
3 sections, 2 risers. Ø: 35, 30, 25mm. Leg Ø: 25mm.

A2025LCB C-STAND 25 SLIDING LEG BLACK CHROME FINISH VERSION

A2025LJ C-STAND 25 SLIDING LEG CHROME FINISH JAPANESE VERSION*

A2025LJCB C-STAND 25 SLIDING LEG BLACK CHROME FINISH JAPANESE VERSION*

A2033F C-STAND 33 CHROME FINISH VERSION

134cm 52.8in	328cm 129.1in	134cm 52.8in	95cm 37.4in	5,5kg 12.1lb
10kg 22lb	16mm 5/8"			

Chrome plated steel stand.
3 sections, 2 risers. Ø: 35, 30, 25mm. Leg Ø: 25mm.

STANDARD/FIXED BASE

SLIDING LEG / ROCKY MOUNTAIN LEG

A2033L C-STAND 33 SLIDING LEG CHROME FINISH VERSION

134cm 52.8in	328cm 129.1in	134cm 52.8in	95cm 37.4in	5,5kg 12.1lb
10kg 22lb	16mm 5/8"			

Chrome plated steel stand.
3 sections, 2 risers. Ø: 35, 30, 25mm. Leg Ø: 25mm.

A2033LCB C-STAND 33 SLIDING LEG BLACK CHROME FINISH VERSION

A2033LJ C-STAND 33 SLIDING LEG CHROME FINISH JAPANESE VERSION*

A2033LJCB C-STAND 33 SLIDING LEG BLACK CHROME FINISH JAPANESE VERSION*

CENTURY STANDS



A2009CB

BASE

A2009 C-STAND BASE CHROME FINISH VERSION

27cm
 95cm
 2,7kg
 28mm
 10.6in 37.4in 6.6lb 1" 1/8

A2009CB C-STAND BASE BLACK CHROME FINISH VERSION

A2007 C-STAND MINI BASE CHROME FINISH VERSION

27cm
 95cm
 2,7kg
 28mm
 10.6in 37.4in 6.6lb 1" 1/8

A2007CB C-STAND MINI BASE BLACK CHROME FINISH VERSION



A2033FKIT C-STAND KIT 33 CHROME FINISH VERSION

Chrome plated steel stand.
3 sections, 2 risers. Ø: 35, 30, 25mm. Leg Ø: 25mm.

includes:
A2033F C-STAND
D200 2" GRIP HEAD
D520 40" EXTENSION GRIP ARM

A2033LKIT C-STAND KIT 33 SLIDING LEG CHROME FINISH VERSION

Chrome plated steel stand.
3 sections, 2 risers. Ø: 35, 30, 25mm. Leg Ø: 25mm.

includes:
A2033L C-STAND
D200 2" GRIP HEAD
D520 40" EXTENSION GRIP ARM

A2030DKIT C-STAND KIT 30 DETACHABLE CHROME FINISH VERSION

Chrome plated steel stand.
3 sections, 2 risers. Ø: 35, 30, 25mm. Leg Ø: 25mm.

includes:
A2030D C-STAND
D200 2" GRIP HEAD
D520 40" EXTENSION GRIP ARM

KIT



A2014CB

COLUMN

A2014 C-STAND COLUMN 14 CHROME FINISH VERSION

68cm
 139cm
 2,2kg
 16mm
 28mm
 26.8in 54.7in 4.9lb 5/8" 1" 1/8

3 sections (Ø: 35, 30, 25mm) chrome steel column.

A2020 C-STAND COLUMN 20 CHROME FINISH VERSION

95cm
 206cm
 2,8kg
 16mm
 28mm
 37.4in 81.1in 6.2lb 5/8" 1" 1/8

3 sections (Ø: 35, 30, 25mm) chrome steel column.

A2029 C-STAND COLUMN 29 CHROME FINISH VERSION

118cm
 285cm
 3,3kg
 16mm
 28mm
 46.5in 112.2in 7.3lb 5/8" 1" 1/8

3 sections (Ø: 35, 30, 25mm) chrome steel column.

A2014CB C-STAND COLUMN 14 BLACK CHROME FINISH VERSION

A2020CB C-STAND COLUMN 20 BLACK CHROME FINISH VERSION

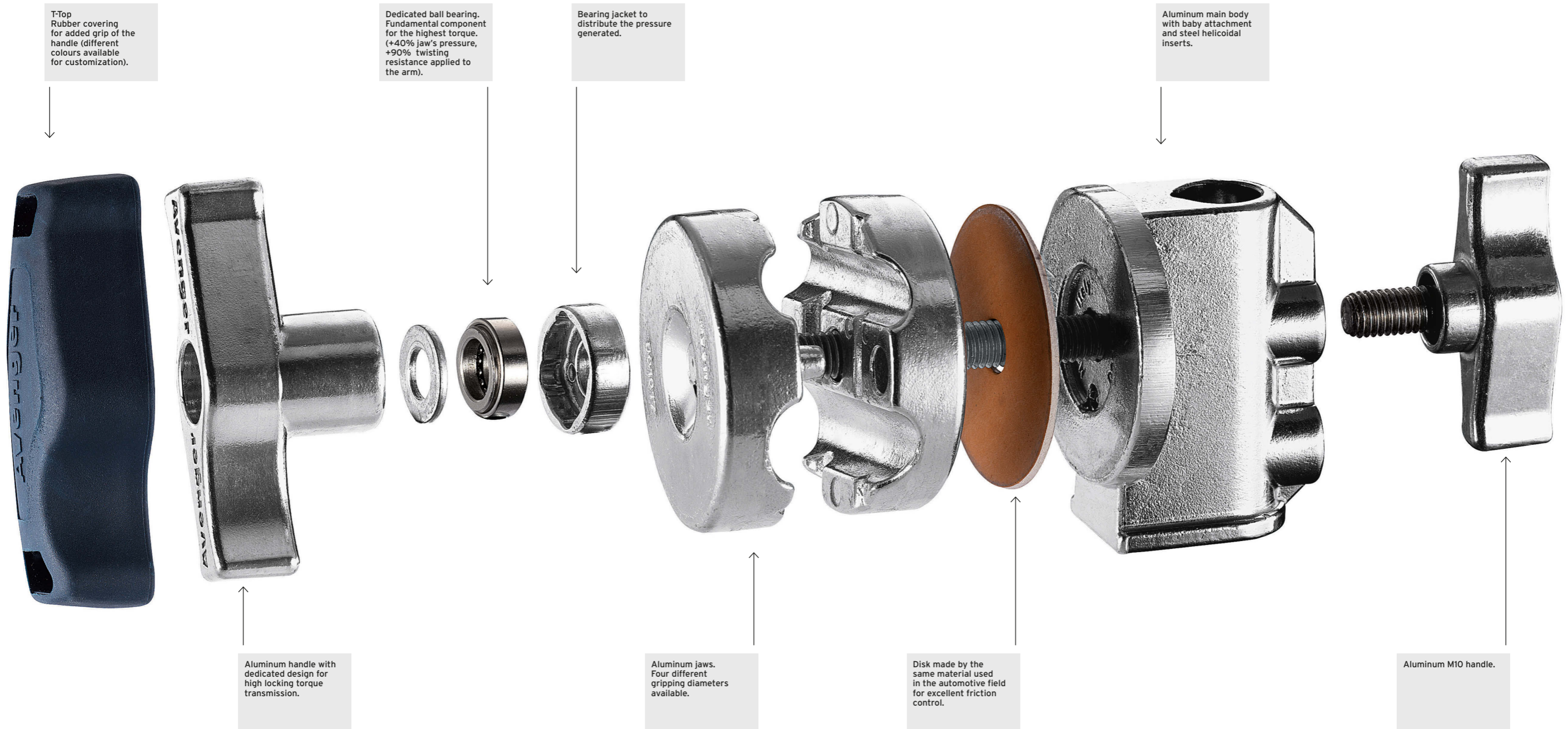
A2029CB C-STAND COLUMN 29 BLACK CHROME FINISH VERSION

A2020JCB C-STAND COLUMN 20 BLACK CHROME FINISH JAPANESE VERSION*

* Please note: the Japanese versions of the stands have a 17,5mm female top attachment 17,5mm

CENTURY STANDS ACCESSORIES

Our Grip Heads have been specifically designed to hold scrims, flags, floppies & cutters mounted on Century Stands, or butterfly frames mounted on Overhead Stands during film, video or photo shoots. Extension offset arms, used in combination with Grip Heads, provide an extended grip point for scrims, flags and small lights, and are available in two lengths: 20" (51cm) and 40" (102cm). The Grip Head can be combined with other accessories to solve most light and light modification accessory positioning problems. Grip Heads are available in two specific diameters, the standard is 2" 1/2 the Jumbo version is 4".



CENTURY STANDS ACCESSORIES



D200
2"½ GRIP HEAD

i 0,55kg
1.2lb **U** 16mm
5/8"

Avenger's most popular grip accessory. The D200 Grip Head has hundreds of functions. Unlike any other Grip Head, the D200 utilizes a series of washers for extra locking torque and the use of automotive-quality brake pad discs for secure, non-slip security. Connect with E600 snap-in pin or E600C snap-in pin to attach to the original Super Clamp.

D200B
2"½ GRIP HEAD
BLACK FINISH VERSION



D210J
SNAP-IN GRIP HEAD
JAPANESE VERSION

i 0,75kg
1.7lb **U** 17,5mm

Combining the multi-functional D200 Grip Head with a 17,5mm pin to interface with the Japanese attachment. The D210J allows you to hang flags and scrims in positions that light stands can't reach.

D210JB
SNAP-IN GRIP HEAD
BLACK JAPANESE VERSION



D230
SUPER CLAMP
GRIP HEAD

i 0,95kg
2.1lb

This kit includes the D200B Grip Head and the Avenger C1575B Super Clamp.



D220
GRIP HELPER

i 1,1kg
2.4lb **U** 16mm
5/8"

Just as the name suggests, the Grip Helper is like three Grip Heads in one. Two independent grip heads sandwich a third with a fixed 16mm pin. This system allows multiple light control accessories to mount in front of fixtures without the need for numerous light stands.



D500
20" EXTENSION
GRIP ARM

i 1,03kg
2.3lb

Normally used in combination with a Grip Head (art. D200) it provides an extended grip point for scrims and flags. Pipe length 51cm (20").

D500B
20" EXTENSION
GRIP ARM
BLACK FINISH VERSION



D520
40" EXTENSION
GRIP ARM

i 1,28kg
2.8lb

Normally used in combination with a Grip Head (art. D200) it provides an extended grip point for scrims and flags or small lights. Pipe length 102cm (40").

D520B
40" EXTENSION
GRIP ARM
BLACK FINISH VERSION



D530L
40" EXTENSION ARM
AND GRIP HEAD (D200)

i 2,15kg
4.7lb

Normally used in combination with a Grip Head (art. D200) it provides an extended grip point for scrims and flags or small lights. Pipe length 102cm (40"). It includes D200 Grip Head.

D530LB
40" EXTENSION ARM
AND GRIP HEAD
(D200B)
BLACK FINISH VERSION



D800KIT
GRIP KIT

Set of accessories that work on their own or in combination with stands to support scrims, flags and lighting fixtures to provide precision and secure control. Kit comprises of:
D200B Black Grip Head.
E600 Snap-in 16mm pin.
D520B Black 40" Extension Arm.
C1575B Black Super Clamp.
H4BAG Grip Kit Bag.



D250
GAG GOBO

i 0,46kg
1lb **U** 16mm
5/8"

This unique double Grip Head system provides the flexibility of a second grip head allowing hundreds of uses including doubling up scrims and flags.



D240
GRIP HEAD
WITH SWIVEL PIN

i 1,25kg
2.8lb **U** 16mm
5/8" **U** 16mm
5/8" **U** 28mm
1" 1/8"

Two famous accessories connected together to assure a wide range of fixing solutions.
Attachments:
16mm male pin + 16mm female socket 28mm male pin.



D100
DOUBLE GRIP HEAD

i 0,87kg
1.9lb

A combination of two sets of Grip Head discs mounted on a steel plate with a 10mm rod with a length of 13,5cm (5.3").



AVCSA1301B
TRIPLE C ROLLER CASE
FOR DETACHABLE
C STAND AND
ACCESSORIES

i 7.8kg
17.2 lb

Internal Size
height width length
19cm/ 13.8in 35cm/ 7.5in 120cm/ 47.2in

External Size
height width length
40cm/15.7in 28cm/ 11in 128cm/ 50.4in



D420
JUMBO GAG GOBO

i 1,3kg
2.9lb

This double 10mm (4" 1/2) Grip Head allows for multiple overheads to be used simultaneously.



D400
4"½ JUMBO GRIP
HEAD

i 2,35kg
5.2lb **U** 28mm
1" 1/8" **U** 28mm
1" 1/8"

Designed to convert a Junior Stand into an Overhead Stand, the D400 incorporates a 10mm (4" 1/2) Grip Head with a Junior Stud and receiver.

D400B
4"½ JUMBO GRIP
HEAD
BLACK FINISH VERSION



E600
SNAP-IN PIN

i 16mm
5/8"

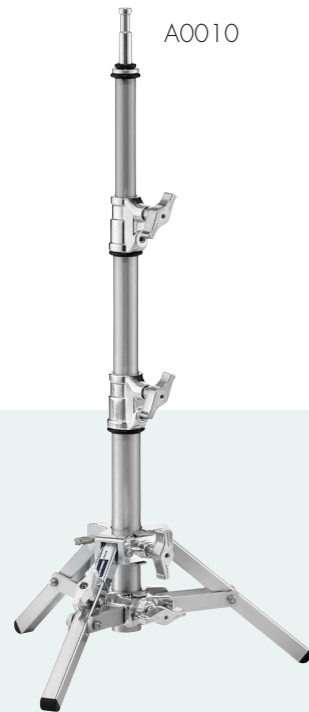
Specifically designed to connect Grip Head to Super Clamp. Aluminum made.



D050
SET OF 6
BLUE T-TOPS

Rubber cover gives better grip for 80mm T-handles, even in cold weather.

BABY STANDS



A0010
BABY STAND 10

52cm 20.5in	100cm 39.4in	47cm 18.5in	43cm 16.9in
2,5kg 5.5lb	15kg 33.1lb	16mm 5/8"	

Steel legs and aluminum risers, silver only.
3 sections, 2 risers. Ø: 35, 30, 25 mm.
Leg: 20x20mm. 1 levelling leg.

A0010J
BABY STAND 10
JAPANESE VERSION*

A0017
BABY STAND 17

82cm 32.3in	175cm 68.9in	73cm 28.7in	75cm 29.5in
3,4kg 7.7lb	4kg 8.8lb	16mm 5/8"	

Steel legs and aluminum risers, silver only.
3 sections, 2 risers. Ø: 35, 30, 25 mm.
Leg: 20x20mm. 1 levelling leg.

* Please note: the Japanese versions of the stands have a 17,5mm female top attachment 17,5mm

STEEL BASE AND ALU COLUMN



A0025B
ALU BABY STAND 25

98cm 38.6in	250cm 98.4in	87cm 34.3in	87cm 34.3in
3kg 6.6lb	4kg 8.8lb	16mm 5/8"	

Black aluminum stand.
3 sections, 2 risers. Ø: 35, 30, 25, 20mm.
Leg: 20x20mm. 1 levelling leg.

ALUMINUM



A0030B
ALU BABY STAND 30

113cm 44.5in	300cm 118.1in	100cm 39.4in	100cm 39.4in
3,5kg 7.7lb	10kg 22lb	16mm 5/8"	

Black aluminum stand.
4 sections, 3 risers. Ø: 35, 30, 25, 20mm.
Leg: 20x20mm. 1 levelling leg.

A0035B
ALU BABY STAND 35

126cm 49.6in	350cm 137.8in	112cm 44.1in	100cm 39.4in
3,5kg 7.7lb	9kg 19.8lb	16mm 5/8"	

Black aluminum stand.
4 sections, 3 risers. Ø: 35, 30, 25, 20mm.
Leg: 20x20mm. 1 levelling leg.

A0040B
ALU BABY STAND 40

142cm 55.9in	400cm 157.5in	124cm 48.8in	114cm 44.9in
4kg 8.8lb	9kg 19.8lb	16mm 5/8"	

Black aluminum stand.
4 sections, 3 risers. Ø: 35, 30, 25, 20mm.
Leg: 20x20mm. 1 levelling leg.

A0045B
ALU BABY STAND 45

154cm 60.6in	450cm 177.2in	136cm 53.5in	114cm 44.9in
4,1kg 9lb	10kg 22lb	16mm 5/8"	

Black aluminum stand.
4 sections, 3 risers. Ø: 35, 30, 25, 20mm.
Leg: 20x20mm. 1 levelling leg.



A0030CS
STEEL BABY STAND 30

113cm 44.5in	300cm 118.1in	100cm 39.4in	100cm 39.4in
6kg 13.2lb	10kg 22lb	16mm 5/8"	

Chrome plated steel stand.
4 sections, 3 risers. Ø: 35, 30, 25, 20mm.
Leg: 20x20mm. 1 levelling leg.

A0035CS
STEEL BABY STAND 35

126cm 49.6in	350cm 137.8in	112cm 44.1in	100cm 39.4in
7kg 15.4lb	9kg 19.8lb	16mm 5/8"	

Chrome plated steel stand.
4 sections, 3 risers. Ø: 35, 30, 25, 20mm.
Leg: 20x20mm. 1 levelling leg.

A0040CS
STEEL BABY STAND 40

142cm 55.9in	400cm 157.5in	124cm 48.8in	114cm 44.9in
7,8kg 17.2lb	9kg 19.8lb	16mm 5/8"	

Chrome plated steel stand.
4 sections, 3 risers. Ø: 35, 30, 25, 20mm.
Leg: 20x20mm. 1 levelling leg.

A0045CS
STEEL BABY STAND 45

154cm 60.6in	450cm 177.2in	136cm 53.5in	114cm 44.9in
8,1kg 17.9lb	9kg 19.8lb	16mm 5/8"	

Chrome plated steel stand.
4 sections, 3 risers. Ø: 35, 30, 25, 20mm.
Leg: 20x20mm. 1 levelling leg.

STEEL

COMBO STANDS

A1020B ALU COMBO STAND 20

110cm 43.3in	198cm 78in	93cm 36.6in	80cm 31.5in
25kg 55.1lb	28mm 1" 1/8"	16mm 5/8"	A9000NB

Aluminum legs with aluminum risers.
3 sections, 2 risers. Ø: 45, 40, 35mm.
Leg: 25x25mm. 1 levelling leg.

A1035B ALU COMBO STAND 35

168cm 66.1in	350cm 137.8in	142cm 55.9in	134cm 52.8in
30kg 66.1lb	28mm 1" 1/8"	16mm 5/8"	A9000NB

Aluminum stand.
3 sections, 2 risers. Ø: 45, 40, 35mm.
Leg: 25x25mm. 1 levelling leg.

A1045B ALU COMBO STAND 45

179cm 70.5in	450cm 177.2in	155cm 61in	134cm 52.8in
30kg 66.1lb	28mm 1" 1/8"	16mm 5/8"	A9000NB

Aluminum stand.
4 sections, 3 risers. Ø: 45, 40, 35, 30mm.
Leg: 25x25mm. 1 levelling leg.

ALUMINUM

A1010CS STEEL COMBO STAND 10

64cm 25.2in	100cm 39.4in	62cm 24.4in	57cm 22.4in
30kg 66.1lb	28mm 1" 1/8"	16mm 5/8"	

Chrome steel stand.
2 sections, 1 riser. Ø: 35, 30mm.
Leg: 20x20mm. 1 levelling leg.

A1020CS STEEL COMBO STAND 20

110cm 43.3in	198cm 78in	93cm 36.6in	80cm 31.5in
35kg 77.2lb	28mm 1" 1/8"	16mm 5/8"	A9000N

Chrome steel stand.
3 sections, 2 risers. Ø: 45, 40, 35mm.
Leg: 25x25mm. 1 levelling leg.

A1035CS STEEL COMBO STAND 35

168cm 66.1in	350cm 137.8in	142cm 55.9in	134cm 52.8in
40kg 88.2lb	28mm 1" 1/8"	16mm 5/8"	A9000N

Chrome steel stand.
3 sections, 2 risers. Ø: 45, 40, 35mm.
Leg: 25x25mm. 1 levelling leg.

A1045CS STEEL COMBO STAND 45

179cm 70.5in	450cm 177.2in	155cm 61in	134cm 52.8in
40kg 88.2lb	28mm 1" 1/8"	16mm 5/8"	A9000N

Chrome steel stand.
4 sections, 3 risers. Ø: 45, 40, 35, 30mm.
Leg: 25x25mm. 1 levelling leg.

STEEL

PRODUCTS BELOW ARE AVAILABLE AS OPTIONAL



A9000NB BRAKED WHEELS BLACK FINISH VERSION

3,3kg 7.3lb	90kg 198.4lb

Ø: 100mm for 20x20 and 25x25mm.
Square legs. Set of three.

A9000N BRAKED WHEELS



D400 4" 1/2 JUMBO GRIPHEAD

2,35kg 5.2lb	28mm 1" 1/8"	28mm 1" 1/8"

Designed to convert a Junior Stand into
an Overhead Stand, the D400 incorporates
a 4" 1/2 (10mm) Grip Head with a Junior
Stud and receiver.

D400B 4" 1/2 JUMBO GRIP HEAD BLACK FINISH VERSION



A1045B

A1045CS

ROLLER STANDS

A5017 ROLLER STAND 17 FOLDING BASE

108cm 170cm 98cm 75cm 5,5kg
42.5in 66.9in 38.6in 29.5in 12.1lb

12kg 16mm
26.5lb 5/8"

Legs and column in steel, risers in aluminum, complete with wheels.
3 sections, 2 risers. Ø: 35, 30, 25mm.
Leg: 20x20mm.



A5017

A5033 ROLLER STAND 33 FOLDING BASE

115cm 330cm 105cm 75cm 6,3kg
45.3in 129.9in 41.3in 29.5in 13.9lb

12kg 16mm
26.5lb 5/8"

Legs and column in steel, risers in aluminum, complete with wheels.
4 sections, 3 risers. Ø: 35, 30, 25, 20mm.
Leg: 20x40mm.

FOLDING BASE



A5029

LOW BASE

A5029 ROLLER STAND 29 LOW BASE

125cm 290cm 123cm 100cm 5,7kg
49.2in 114.2in 48.4in 39.4in 12.6lb

12kg 16mm
26.5lb 5/8"

Legs and column in steel, risers in aluminum, complete with wheels.
3 sections, 2 risers. Ø: 35, 30, 25mm.
Leg: 20x20mm.

A5043 ROLLER STAND 43 LOW BASE

146cm 430cm 135cm 106cm 6,3kg
57.5in 169.3in 53.1in 41.7in 13.9lb

12kg 16mm
26.5lb 5/8"

Legs and column in steel, risers in aluminum, complete with wheels.
4 sections, 3 risers. Ø: 35, 30, 25, 20mm.
Leg: 20x20mm.

A5012 ROLLER STAND 12 FOLDING BASE

78cm 120cm 68cm 75cm 8kg
30.7in 47.2in 26.8in 29.5in 17.6lb

25kg 28mm 16mm
55.1lb 1" 1/8 5/8"

Legs and column in steel, risers in aluminum, complete with wheels.
3 sections, 2 risers. Ø: 45, 40, 35mm.
Leg: 20x40mm.



A5012

A5034 ROLLER STAND 34 FOLDING BASE

142cm 340cm 132cm 75cm 10,7kg
55.9in 133.9in 52in 29.5in 23.6lb

20kg 28mm 16mm
44.1lb 1" 1/8 5/8"

Legs and column in steel, risers in aluminum, complete with wheels.
4 sections, 3 risers. Ø: 45, 40, 35, 30mm.
Leg: 20x40mm.

FOLDING BASE



A5036CS

LOW BASE

A5036CS ROLLER STAND 36 LOW BASE

156cm 360cm 130cm 140cm 13,6kg 40kg
61.4in 141.7in 51.2in 55.1in 30lb 88.2lb

28mm 16mm
1" 1/8 5/8"

Chrome steel stand, complete with wheels.
3 sections, 2 risers. Ø: 45, 40, 35mm.
Leg: 25x25mm.

A5042CS ROLLER STAND 42 LOW BASE

166cm 420cm 142cm 150cm 15,4kg
65.4in 165.4in 55.9in 59.1in 34lb

40kg 28mm 16mm
88.2lb 1" 1/8 5/8"

Chrome steel stand, complete with wheels.
4 sections, 3 risers. Ø: 45, 40, 35, 30mm.
Leg: 25x25mm.

BOOM STANDS



A4039CS STEEL BOOM STAND 39

131cm 51.6in	392cm 154.3in	113cm 44.5in	109cm 42.9in	8,4kg 18.5lb
12kg 26.5lb	16mm 5/8"			

Chrome steel stand.
4 sections, 3 risers. Ø: 35, 30, 25, 20mm.
Leg: 20x20mm.
1 levelling leg.

A4041B ALU BOOM STAND 41

139cm 54.7in	413cm 162.6in	124cm 48.8in	129cm 50.8in	4,6kg 10.1lb
10kg 22lb	16mm 5/8"			

Supplied with sandbag counterweight (empty) for maximum stability and smoothness.
Black aluminum stand.
4 sections, 3 risers. Ø: 35, 30, 25, 20mm.
Leg: 20x20mm.
1 levelling leg.
Min extension boom 113cm (44.5"). Max load 15kg (33.1lb).
Max extension boom 213cm (83.9"). Max load 5kg (11lb).



A4050CS STEEL BOOM STAND 50

188cm 74in	500cm 196.9in	165cm 65in	135cm 53.1in	15kg 33.1lb
30kg 66.1lb	28mm 1" 1/8	16mm 5/8"	A9000N	

Chrome steel stand.
4 sections, 3 risers. Ø: 45, 40, 35, 30mm.
Leg: 25x25mm.
1 levelling leg.
Min extension boom 155cm (61"). Max load 30kg (66.1lb).
Max extension boom 266cm (10.7"). Max load 8kg (17.6lb).

PRODUCTS BELOW ARE AVAILABLE AS OPTIONAL



E700 BABY DROP DOWN PIN

0,62kg 1.4lb	16mm 5/8"	16mm 5/8"

For a more accurate light positioning: it helps keeping the light in horizontal position independently on the angle of the boom. Specifically designed to be used on boom arm with light attachment with 16mm pin.



E710 JUNIOR DROP DOWN PIN

1,32kg 2.9lb	28mm 1" 1/8	28mm 1" 1/8	16mm 5/8"

Same as E700, designed to be used on boom arm with light attachment with 28mm bushing.



A9000NB BRAKED WHEELS BLACK FINISH VERSION

3,3kg 7.3lb	90kg 198.4lb

Ø: 100mm for 20x20 and 25x25mm.
Square legs. Set of three.

A9000N BRAKED WHEELS

WIND UP STANDS



B6026CS
WIND UP STAND 26

153cm 60.2in	261cm 102.8in	173cm 68.1in	152cm 59.8in	19kg 41.9lb
45kg 99.2lb	28mm 1" 1/8"	16mm 5/8"		

Chrome steel stand.
2 sections, 1 riser. Ø: 55, 45mm.
Leg Ø: 30mm.
1 levelling leg.



B6030CS
LOW BASE
WIND UP STAND 30

153cm 60.2in	296cm 116.5in	175cm 68.9in	142cm 55.9in	17,8kg 39.2lb
30kg 66.1lb	28mm 1" 1/8"	16mm 5/8"		

Chrome steel stand.
3 sections, 2 risers. Ø: 55, 45, 38mm.
Leg Ø: 30mm.
1 levelling leg.



B6039CS
WIND UP STAND 39

181cm 71.3in	370cm 145.7in	201cm 79.1in	142cm 55.9in	24kg 52.9lb
30kg 66.1lb	28mm 1" 1/8"	16mm 5/8"		

Chrome steel stand.
3 sections, 2 risers. Ø: 55, 45, 38mm.
Leg Ø: 30mm.
1 levelling leg.

SUPER WIND UP STANDS

B6029X STAINLESS LOW BASE SUPER WIND UP 29 STAND

140cm	290cm	156cm	34kg	
55.1in	114.2in	61.4in	15lb	
80kg	28mm			
176.4lb	1" 1/8			

Stainless steel column and legs, chrome steel risers and geared column. 3 sections, 2 risers.
 Ø: 70, 60, 50mm. Leg: Ø 35mm. 1 levelling leg.
 Features braked wheels 474.



The codes B6029X, B6040X, B7018 are assembled using the foam fill wheels 474.

B6040X STAINLESS STEEL SUPER WIND UP 40 STAND

172cm	386cm	196cm	39kg	
67.7in	152in	77.2in	86lb	
80kg	28mm			
176.4lb	1" 1/8			

Heavy lift stand with strengthened stainless steel column and legs, chrome steel risers and geared column. 3 sections Ø: 70, 60, 50mm. 2 risers which extended simultaneously at 4,4cm (1.7") per handle turn. Safety cable ensures simultaneous retrieval of all sections. Rapid adjustment. Leg Ø 35mm. 1 levelling leg. Features braked wheels 474.



STRATO SAFE STANDS



B7018



B150-1



B7018 STRATO SAFE STAND 18

105cm 41.3in	175cm 68.9in	126cm 49.6in	120cm 47.2in	27kg 59.5lb
100kg 220.5lb	28mm 1" 1/8			

Aluminum legs with chrome steel column.
Features braked wheels
2 sections, 1 riser. Ø: 70, 60mm.
Leg: 35x35mm.

B150-1 STRATO SAFE CRANK-UP

190cm 74.8in	610cm 240.2in	225cm 88.6in	213cm 83.9in	71kg 156.5lb
70kg 154.3lb	28mm 1" 1/8			

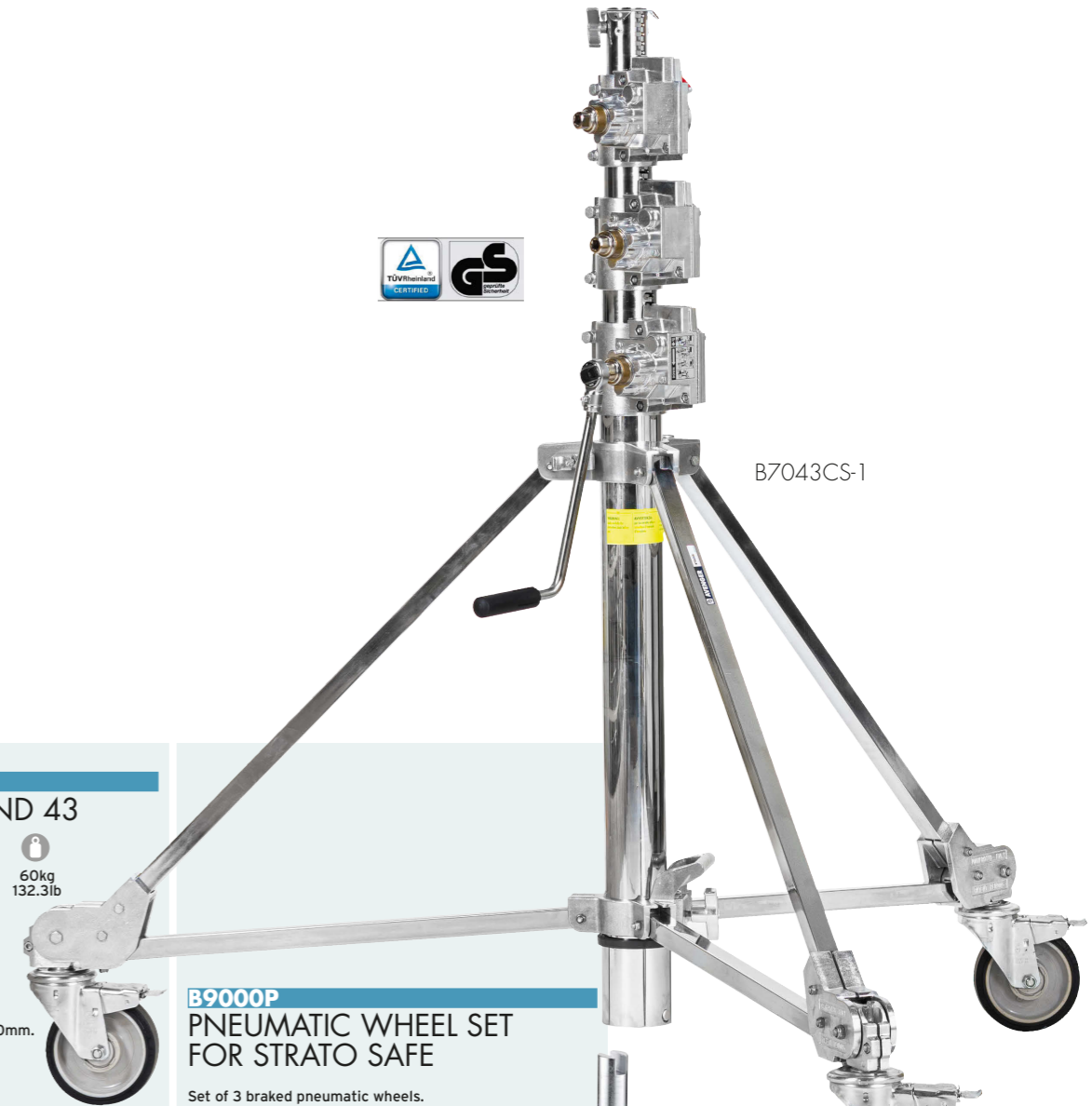
Aluminum legs with chrome steel column.
Features braked wheels
5 sections, 4 riser. Ø: 90, 80, 70, 60, 50mm.
Leg: 35x35mm.



B150P-1 STRATO SAFE CRANK-UP WITH PNEUMATIC WHEELS

201cm 79.1in	621cm 244.5in	236cm 92.9in	213cm 83.9in	93.4kg 205.9lb
70kg 154.3lb	28mm 1" 1/8			

Aluminum legs with chrome steel column.
Features braked wheels
5 sections, 4 riser. Ø: 90, 80, 70, 60, 50mm.
Leg: 35x35mm.



B7043CS-1



B7043CS-1 STRATO SAFE STAND 43

155cm 61in	427cm 168.1in	185cm 72.8in	182cm 71.7in	60kg 132.3lb
70kg 154.3lb	28mm 1" 1/8			

Chrome steel stand.
Features braked wheels
4 sections, 3 risers. Ø: 90, 80, 70, 60mm.
Leg: 35x35mm.



B7047CS-1 STRATO SAFE STAND 47

172cm 67.7in	467cm 183.9in	209cm 82.3in	213cm 83.9in	62kg 136.7lb
70kg 154.3lb	28mm 1" 1/8			

Chrome steel stand complet. Features braked wheels.
3 sections, 2 risers. Ø: 90, 80, 70mm.
Leg: 35x35mm.
Included Wind Brace Kit B9000W.



B9000P PNEUMATIC WHEEL SET FOR STRATO SAFE

Set of 3 braked pneumatic wheels.

B9000 HARD WHEEL SET FOR STRATO SAFE

10kg 22lb	70kg 154.3lb
--------------	-----------------

Set of 3 braked wheels.








B70XXFFW FOAM FILL WHEEL SET FOR STRATO SAFE

Set of 3 foam fill wheels.

LONG JOHN SILVER STANDS










B7057FF
LONG JOHN SILVER STAND
WITH FOAM FILL WHEELS

 177cm 69.7in	 570cm 224.4in	 224cm 88.2in	 240cm 94.5in	 85kg 187.4lb
 120kg 264.6lb	 28mm 1" 1/8			

Heavy duty stand complete with foam fill braked wheels. 5 sections, 4 risers. Includes Wind Brace Kit.



B7034FF
LONG JOHN SILVER
JUNIOR STAND
WITH FOAM FILL WHEELS

 127cm 50in	 340cm 133.9in	 155cm 61in	 155cm 61in	 70kg 154.3lb
 120kg 264.6lb	 28mm 1" 1/8			

Heavy duty stand. 4 sections, 3 risers.



OVERHEAD STANDS



A3059CS

A3058CS

A3042CS OVERHEAD STAND 42

143cm	423cm	135cm	129cm	11,8kg
56.3in	166.5in	53.1in	50.8in	26.6lb
40kg	28mm	115mm	A9000N	
88.2lb	1" 1/8	4.5in		

Chrome steel stand.
4 sections, 3 risers. Ø: 45, 40, 35, 30mm.
Leg: 25x25mm.

STANDARD BASE

A3059CS OVERHEAD STAND 59

177cm	588cm	167cm	129cm	14kg
69.7in	231.5in	65.7in	50.8in	30.9lb
40kg	28mm	115mm	A9000N	
88.2lb	1" 1/8	4.5in		

Chrome steel stand.
4 sections, 3 risers. Ø: 45, 40, 35, 30mm.
Leg: 25x25mm.

A3043CS OVERHEAD STAND 43 WITH BRAKED WHEELS

153cm	432cm	150cm	154cm	16kg
60.2in	170.1in	59.1in	60.6in	35.3lb
40kg	28mm	115mm		
88.2lb	1" 1/8	4.5in		

Chrome steel stand complete with braked wheels.
4 sections, 3 risers. Ø: 45, 40, 35, 30mm.
Leg: 25x25mm.

ROLLER BASE

A3058CS OVERHEAD STAND 58 WITH BRAKED WHEELS

186cm	579cm	182cm	154cm	18,3kg
73.2in	228in	71.7in	60.6in	40.3lb
40kg	28mm	115mm		
88.2lb	1" 1/8	4.5in		

Chrome steel stand complete with braked wheels.
4 sections, 3 risers. Ø: 45, 40, 35, 30mm.
Leg: 25x25mm.
Important! Counterweight sandbags must always be used on the legs to ensure safe, stable operation even at full height extension.

A3056CS WIDE BASE OVERHEAD STAND 56

199cm	557cm	195cm	196cm	16,8kg
78.3in	219.3in	76.8in	77.2in	37lb
40kg	28mm	115mm	A9000N	
88.2lb	1" 1/8	4.5in		

Chrome steel stand.
4 sections, 3 risers. Ø: 45, 40, 35, 30mm.
Leg: 25x25mm.
1 levelling leg.

A3065CS WIDE BASE OVERHEAD STAND 65

189cm	638cm	197cm	204cm	21,4kg
74.4in	251.2in	77.6in	80.3in	47.2lb
30kg	28mm	115mm		
66.1lb	1" 1/8	4.5in		

Chrome steel stand.
5 sections, 4 risers. Ø: 50, 45, 40, 35mm.
Leg: 30x30mm.
2 levelling legs.



A3065CS

ACCESSORIES STANDS



C626
LONG STEEL STAND
EXTENSION

📏 1,89kg
4.2lb
📏 28mm
1" 1/8
📏 16mm
5/8"
📏 28mm
1" 1/8

Chrome lenth plated steel extension.
Lenght 52cm (20.5").



C624
MEDIUM STEEL STAND
EXTENSION

📏 1,72kg
3.8lb
📏 28mm
1" 1/8
📏 16mm
5/8"
📏 28mm
1" 1/8

Chrome lenth plated steel extension.
Lenght 39cm (15.4").



C622
SMALL STEEL STAND
EXTENSION

📏 1,59kg
3.5lb
📏 28mm
1" 1/8
📏 16mm
5/8"
📏 28mm
1" 1/8

Chrome lenth plated steel extension.
Lenght 28cm (11").



027
STAND HOLDER

📏 2,8kg
7.5lb

Holder for 8 light stands. Width: 115cm (45.3").
Distance between fixing holes: 64.4cm (23.4").
Depth: 19cm (7.5").



087WBK
WIND-BRACING KIT

3 rope wind-bracing kit.
Length: 10m (393.7").
Not supplied with the stand.



A9000NB
BRAKED WHEELS
BLACK FINISH VERSION

📏 3,3kg
7.3lb
📏 90kg
198.4lb

Ø: 100mm for 20x20 and 25x25mm.
Square legs. Set of three.

A9000N
BRAKED WHEELS



C590
CONKA BONKA

📏 28mm
1" 1/8
📏 28mm
1" 1/8

Set of 3 Cine extensions.

Long version:
extension 675mm (26.5")
total length 790mm (31.1")
weight 1,75kg (3,86lb).

Medium version:
extension 270mm (10,6")
total length 385mm (15.2").
weight 1,25kg (2,76lb).

Short version:
extension 150mm (5,9")
total length 265mm (10,4")
weight 1,09kg (2,40lb).



G100-2
SMALL SAND BAG

📏 6kg
13.3lb

G200-1
LARGE SAND BAG

📏 10kg
22lb



G300
EXTRA LARGE SAND BAG

📏 35kg
77.2lb

* Please note: sand bags are sold empty

LIGHT CONTROL



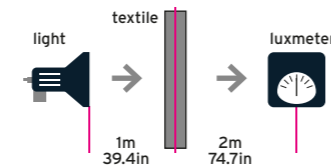
LIGHT CONTROL

FABRIC SPECIFICATION

Fabric	Fabric width [meters]	Light loss [stops]	Scrim colour code
Black Commando (solid)	2	100%	
Black Single Net	7.32	0.7	
Soft Diffuser	1.5	2.5	
Soft Diffuser	1.5	1.8	
Silver / White	1.5	1.4	
Sunfire / Silver	1.5	100%	
Cromakey Green	1.3	100%	
Sunfire / White	1.5	100%	
Silver / Gold	1.1	100%	
Silk (artificial)	1.5	1.6	Yellow
Silk 1/4 Stop (scrim)	2.95	0.8	Blue
China Silk	1.36	1.2	Purple
Black Single (scrim)	7.32	0.8	Green
Black Double (scrim)	7.32	1.5	Red
Black Triple (scrim)	7.32	2.9	Black
White Single (scrim)	7.32	0.7	White
White Double (scrim)	7.32	1	Grey
White Triple (scrim)	7.32	1.6	Brown

FABRIC WIDTH SEAM
The measures in the column show the maximum width of different fabrics used for our butterfly textile system; you can calculate how many seams the butterfly textile has, depending on the type and size chosen. For example, the Black Commando 20x20ft (600x600cm), with a fabric width of 2m (78.7"), has 2 seams, whereas the Black Single of the same size has no seams.

LIGHT LOSS
The chart shows the light loss of an incandescent light source. The main light reading is 32 9/10 F Stop. The light loss has been calculated positioning the luxmeter at 2m (8.7") from the light source and the butterfly textile halfway between them.



HIGH QUALITY
Every item is made with care for all details from cutting to sewing of the material to the frame. A special design of the frame allows perfect 90° corners without losing elasticity of the frame.

SPARE PARTS
The unique design of our scrims and flags allows them to be repaired easily. A velcro locking system fixes the cover to the frame while a built in pin maintains the perfect tension in the steel wire. To order spare part covers for scrims and flags add the letter "R" in front of the order code. I.e. RI650K is the spare part cover for the item I650K SILK SCRIM.

LABELLING
A label sewed close the handle will tell you the dimension of the frame in inches and centimetres.

SCRIMS AND COLOUR CODES
All our scrims are made using high temperature resistance Webbing. We used a colour code system to easily identify the different kind of textile; see table.

Silk (artificial)	Yellow	Black Triple (scrim)	Black
Silk 1/4 Stop	Blue	White Single (scrim)	White
China Silk	Purple	White Double (scrim)	Grey
Black Single (scrim)	Green	White Triple (scrim)	Brown
Black Double (scrim)	Red		

SCRIMS AND FLAGS

Made of steel spring tube combined with unique fabrics, Scrims and Flags are light and strong and cut or soften light with great effects. To achieve the ideal positioning performance of Scrims and Flags, Avenger provides a complete Grip Head system. All textiles are also sold separately as spares in case your originals become damaged.

Fabric	Size (Inches)	12x18	18x24	24x30	24x36	30x36	48x48
	Size [cm]	30x45	45 x 60	60x75	60x90	75x90	120x120
Solid Black Flag	I 600B		I 650B	I 700B	I 750B	I 780B	I 1024
Black Single Scrim	-		I 650S	-	I 750S	-	I 790S
Black Double Scrim	-		I 650D	-	I 750D	-	I 790D
Black Triple Scrim	-		-	-	I 750T	-	-
White Triple Scrim	-		-	-	-	-	I 790TW
Silk (artificial) Scrim	-		-	-	I 750K	-	I 790K



IMPORTANT: SPECIAL ORDER ONLY. DELIVERY FROM 8 TO 10 WEEKS.

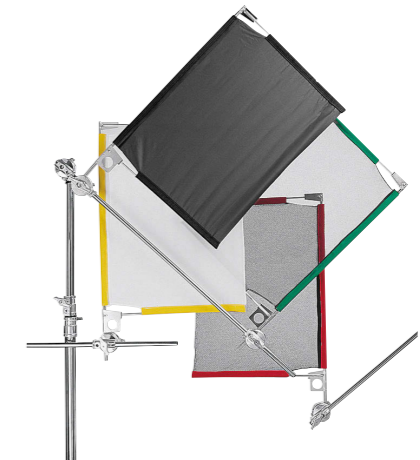
COLLAPSIBLE SCRIMS AND FLAGS

Innovative and easy to use, this collapsible frame system lets you save space and, at the same time, protect scrims during transport.



Order Notes: Frame & Textile must be ordered separately.

Fabric	Size [cm]	30x45	45 x 60
	Size (Inches)	12x18	18x24
Black Single Scrim	I 610S	I 660S	
Black Double Scrim	I 610D	-	
Silk (artificial)	I 610K	I 660K	



LIGHT CONTROL

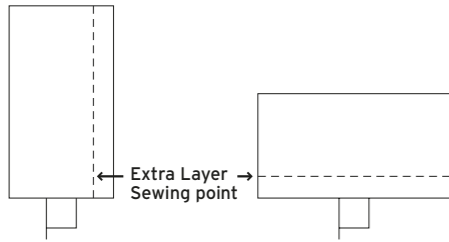
FLOPPIES AND CUTTERS

Fabric	Code	Size [inches]	Size [cm]
Meat Axe Flag	I 1010	30x36	75x90
Cutter	I 1020	10x42	25x106
Cutter	I 1021	18x18	46x120
Floppy Cutter	I 1030	24x72	60x182
Floppy Cutter	I 1031	48x48	120x120

To order spare part covers for floppies and cutters add the letter "R" in front of the order code. I.e. R11021, is the spare part cover for the item I1021 CUTTER 18x48".



All our flags, floppies and cutters are made using a strong webbing all around the frame, to protect the edges from wear.



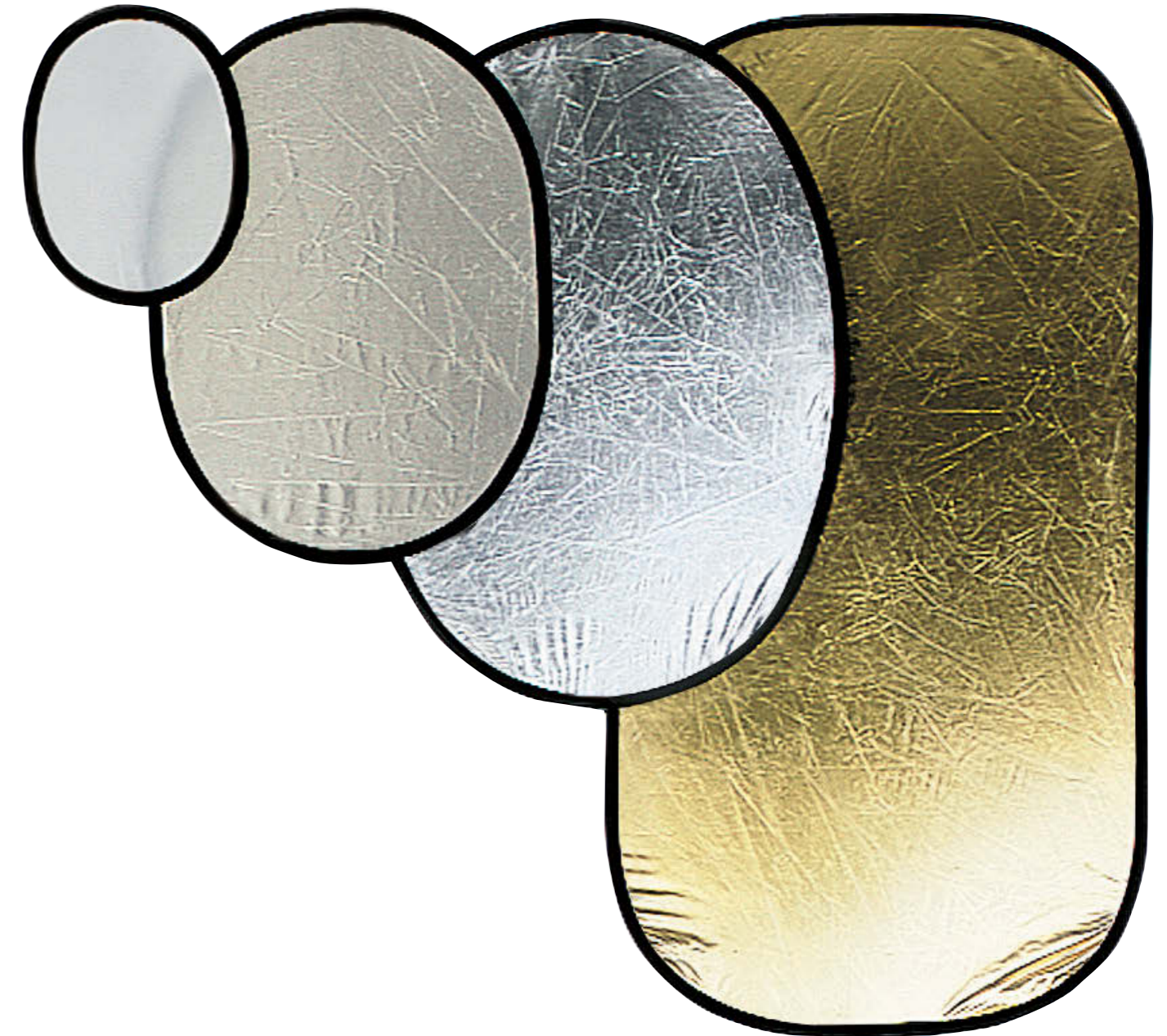
Floppies are Cutters made with an additional piece of fabric, which is fixed with velcro and can be unfolded, becoming twice its original size. See drawing to understand where the extra layer is sewed on the frame.



Made of Black Commando fabrics, Cutters and Floppies stop light completely and are used to control or cut illumination sources, whether natural or artificial. They can also be used to protect camera lenses from flare.

OVAL REFLECTORS

Fabric	Size [Inches] Size [cm]	48x35 120x90	73x48 185x120
Sunfire / White		-	I 6208
Silver / White		I 4831	
Silver / Gold		I 4834	-



LIGHT CONTROL

40cm
(15.7")
25cm
(9.8")



D340 CAMERA FLEXTENTION KIT

i
0.6kg
1.3lb
Flextension Arm, with 2 Mini Clamps, 3/8" Adapter, 10mm Socket Adapter, Black Plastic Flag.

I800 BLACK METAL FLAG

i
0.3kg
0.7lb
Thickness: 1mm (0.04").



F1521 50MM (2") POLYHOLDER WITH 16MM SPIGOT

i **i**
2kg 16mm
4.4lb 5/8"
The polyholder has a 16mm (5/8") spigot. The "board" clamp has two sides, one white for the reflective side of the polystyrene; one black for the black lightstopping side. It doesn't damage the poly.
Plate dimensions: 150x220mm (5.9x8.7").



D750 40MM (1.6") TELESCOPIC POLYHOLDER

i **T** **i**
2.5kg 15kg 16mm
5.5lb 33.1lb 5/8"
Max size holding: 156cm (61.4").
Folded length: 91cm (35.8").
Polystyrene is one of the most widely used light bouncers, but it's not the easiest material to handle.
Now our Polyholder gives you total control. It grips any thickness, is telescopic to hold most full sheet sizes; then just fixes into the lighting Grip Head D200 mounted on a stand or clamp. What could be easier?



F1501 30MM (1.2") POLYHOLDER

i **U**
0.8kg 16mm
1.8lb 5/8"
A foamcore support clamp to enable precise positioning. Mounts via a 16mm (5/8") socket.



F1504 FOAMCORE FORK 16MM PIN

i **i**
0.25kg 16mm
0.6lb 5/8"
Similar to the F1501, but includes four pointed pins to mount thicker foam core or gator-board.
Mounts via a 16mm (5/8") pin.



I43F FORK

i
0.14kg
0.3lb
Fork attachment for styrene gobos: supplied with 1/4" and 3/8" female attachment.
Size 12.5x20cm (4.9x7.9").



I8030CB MOUNTING STIRRUP FOR 40" REFLECTOR BOARD

i **U**
2.5kg 16mm
5.5lb 5/8"
Will fit reflector board from 5mm (0.2") to 25mm (1") thickness. Board not supplied.



D705B LONG COLLAPSIBLE REFLECTOR HOLDER

i **U**
0.8kg 16mm
1.8lb 5/8"
Long Extension Arm.
Max Length: 185cm (72.8") - Min Length: 66cm (26").



D700B COLLAPSIBLE REFLECTOR HOLDER

i **U**
0.7kg 16mm
1.5lb 5/8"
Extension Arm.
Max length: 122cm (48") - Min length: 47cm (18.5").

LIGHT CONTROL

BUTTERFLY TEXTILES

Fabric	Size [cm] Size (feet)	120x120 4x4	240x240 8x8	360x360 12x12	600x600 20x20
Black Commando	-	-	-	-	I 930BL*
Black Single Net	-	-	-	I 920BSN	I 930BSN
Black Double Net	-	-	-	I 920BDN	I 930BDN
Silk (artificial)	-	I 915K*	I 920K*	I 930K*	
Silk 1/4 Stop	-	-	I 920K4*	-	
Soft Diffuser (Grid)	I 905SD	-	I 920SD*	I 930SD*	
Soft Diffuser Light (Light Grid)	-	I 915SDL*	I 920SDL*	I 930SDL*	
Silver / White	-	I 915SW*	I 920SW*	-	
White / Gold	-	-	-	I 930WG*	
Sunfire / Silver	-	I 915SUS*	-	-	
Cromakey Green	-	-	I 920CKG*	I 930CKG*	

* Textile obtained by sewing two or more pieces of fabric together.



FOLD AWAY FRAME

Code	Frame Size [feet]	Frame Size [cm]	Tube Thickness [mm]	Frame Support	Transport Dimension [mm]	Weight [kg]
H2006	6x6	183x183	2	Ear Type 2	1915x150x30	6,6
H2008	8x8	244x244	2	Ear Type 2	2525x150x30	11,3
H2010	12x8	366x244	2	Ear Type 2	3740x150x30	14,4
H2012	12x12	366x366	2	Ear Type 2	3740x150x30	17,6



FOLD-OUT AND SET UP
Just fix the frame holder and it is ready to mount!
To order Ear support alone use code RH02015.

FOLD-DOWN AND BRING UP
Need to move the frame quickly from set to set? No problem, just remove the frame holder, fold down the frame and carry the frame with the textile still fitted!

FOLD AWAY FRAME COMPACT

Code	Frame Size [feet]	Frame Size [cm]	Tube Thickness [mm]	Frame Support	Transport Dimension [mm]	Weight [kg]
H2508	8x8	244x244	2	Ear Type 2	1298x165x85	13
H2512	12x12	366x366	2	Ear Type 2	1905x165x85	16



FOLD-DOWN AND BRING UP
Fold Away Compact is the evolution of the standard version. A locking mechanism allows the frame to be folded even smaller for even easier transportation.



Fabric and stands are not included

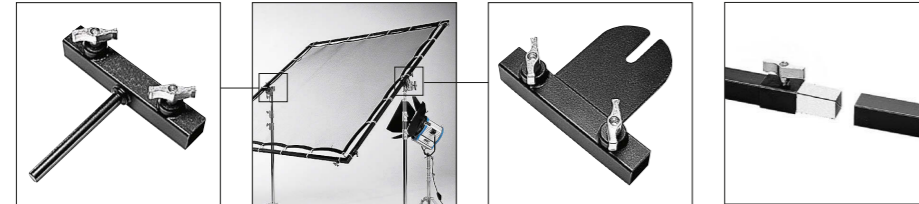


LIGHT CONTROL

LIGHTWEIGHT FRAME

The Avenger Fast-Loc Frame kit is lightweight and quick to set up. The square section aluminum tubes slide and lock together to provide a strong frame which supports lighting control textiles of (6'x6' in size).

Code	Frame Size [feet]	Frame Size [cm]	N. of tubes per side	Tube Length x Thickness mm	Tube Connection	Frame Support	Weight [kg]	Optional Frame Bag
H660	6x6	183x183	1	1205x1.4	insert	Stud Type x2	6,9	H6BAG



Stud Type (code RH01051).

The Manfrotto Butterfly Frames uses two methods of support. Ear and Stud as illustrated.

Ear Type (code RH01016).

Insert tube connection.

MODULAR FRAMES

Heavy Duty 3mm square section tubes-slot and pin-lock together, rapidly providing a stable frame for lighting control textiles. By reducing or adding tubes you can create any frame size.

Code	Modular frame size [feet]	Modular frame size [cm]	N. of tubes per side	Tube Length x Thickness [mm]	Tube Connection	Frame Support	Weight [kg]	Optional Frame Bag
H600M	6x6	183x183	1	1205x3	Pin	Ear Type x2	11,4	H6BAG
H800M	8x8	244x244	2	610x3	Pin	Ear Type x2	13,6	H6BAG
H1200M	12x12	366x366	3	1205x3	Pin	Ear Type x2	19	H6BAG
H2000M	20x20	610x610	5	1205x3	Pin	Ear Type x2	32,6	H6BAG



D.I.Y. BUTTERFLY PIPE CORNER KIT

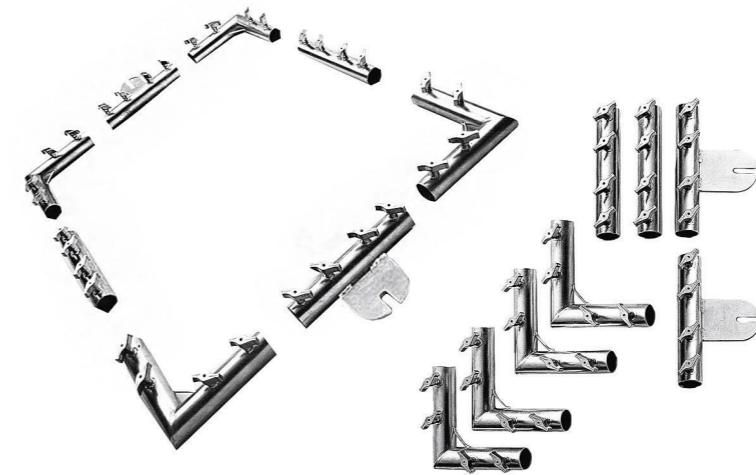
Pipe specifications for use with the D.I.Y. Butterfly Pipe Corner Kit.

Code	Nominal Bore [inches]	Outside Diameter [inches]	Nominal Bore [mm]	Outside Diameter [mm]
H9000	1 1/2"	1 29/32"	38	48.3

This kit give you the possibility of making frames of any dimension, using standard aluminum pipes.



Pipe connection.



SYSTEMS



SYSTEM
PROPERTIES



Gravity Casting: All the strategic aluminum components which have to guarantee safety of the product are made using the Gravity Casting technology. This process excludes any possibility of having air bubbles getting into the casting.



Quick Action Device: This mechanical concept allows an incredible speed in locking and unlocking the clamp's jaws. The Quick Action line of clamps consists of four models that in dimension, load capacity (up to 100kg) and coupling range (up to 50mm).



Multifix: The Multifix feature of the "System" product family offers an incredible range of different attachments. Thank to the Multifix system the user can hang the product in a various ways. The clamps are manufacturer with multi attachment points or a single attachment points available with a variety of different fixing accessories.

max load [kg/lb]

500kg 1102.3lb	C4460* ø 42-52mm	C4469 ø 42-52mm	
300kg 661.4lb		C345-1 C345K-1	C345BK-1
250kg 551.2lb			C100 ø 20-55mm
200kg 440.9lb	C460-1 ø 13 mm		
150kg 330.7lb	C4560-1 ø 12,5mm C339* ø 40-65mm		
100kg 220.5lb			C337 ø 40-70mm
75kg 165.3lb			C339UH ø 40-65mm C150 ø 28-78mm
50kg 110.2lb		C339BB ø 40-65mm	
40kg 88lb			
15kg 33.1lb		C1575 C1575B ø 13-55mm	C1550 ø 13-55mm
10kg 22lb		C500 ø 15-80mm	

spigot/socket type

○
12,5mm* or 14mm**
hole

⊓
female
16mm - 5/8"

⊓
female
28mm - 1" 1/8

		C461 ø 48-52mm		
C4564 ø 48-52mm C464-1 C4464-1	C4462-1	C4461-1		C4463-1 ø 48-52mm
		C4465-1		
C263B ø 42-60mm	C462-1			C463-1
			C339SP ø 40-65mm	
	C210 ø 10-55mm			
	C339UH ø 40-65mm			
	C338 ø 20-52mm			
	C150 ø 28-78mm	C500 ø 15-80mm		

●
M12

⊓
male
16mm - 5/8"

⊓
male
28mm - 1" 1/8

●
pulley

●
eyebolt

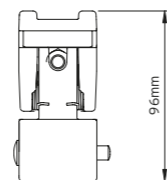
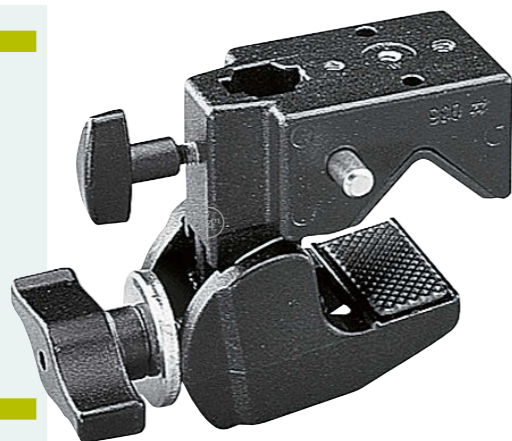
C1575B
SUPER CLAMP

0,45kg 15kg 16mm
1lb 33.1lb 5/8"

Ideal clamp for Cine, Broadcast or Lighting & Entertainment applications. Clamping system achieved via a metal knob ensuring extra solidity. Works on diameters from 13mm to 55mm.



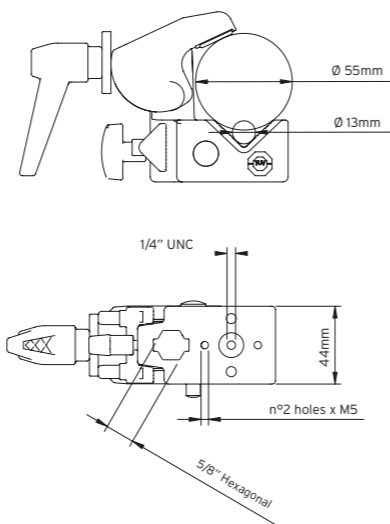
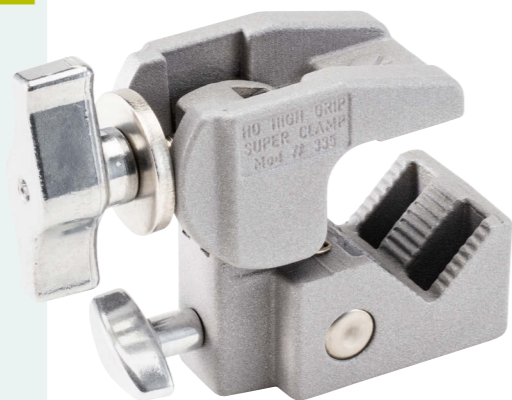
C1575
SUPER CLAMP
CHROME FINISH VERSION



C1550
HEAVY DUTY
SUPER CLAMP

0,45kg 15kg 16mm
1lb 33.1lb 5/8"

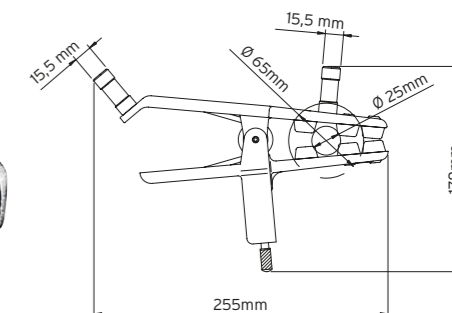
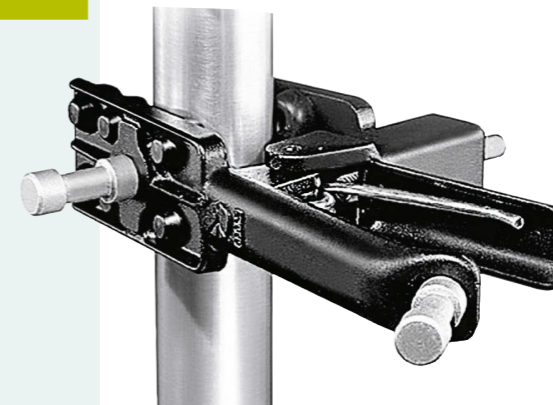
Extra strong version of Super Clamp because of a special manufacturing process named gravity casting, allowing heavier manipulation. Works on diameters from 13mm to 55mm.



C1525
SKY HOOK

0,8kg 16mm 16mm
18lb 5/8" 5/8"

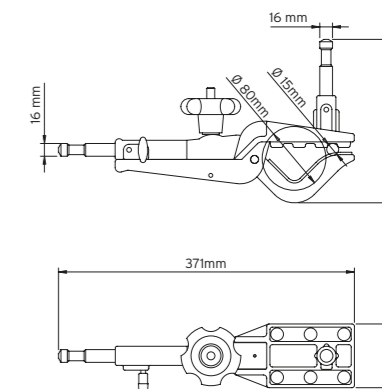
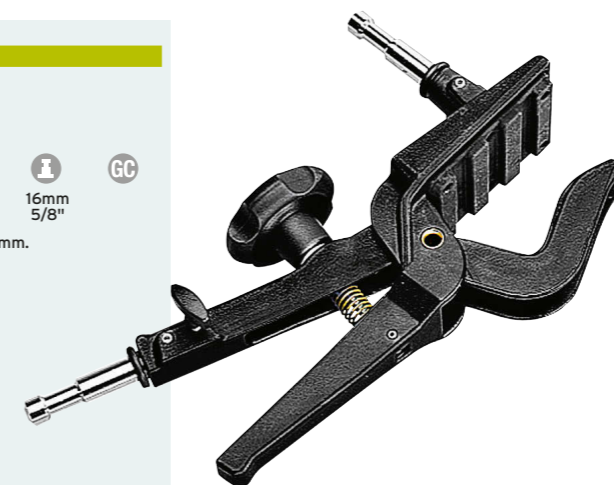
Gaffer grip with adjustable jaws. Grip from: 25mm to 65mm.



C500
PELICAN
GAFFER GRIP

1,4kg 10kg 16mm 16mm 16mm
3.1lb 22lb 5/8" 5/8" 5/8"

Works on diameters from 15mm to 80mm.



C155
SAFETY CABLE

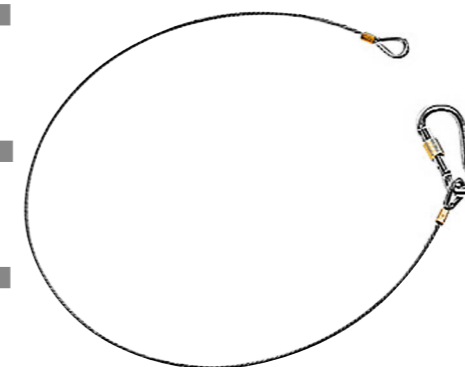
Diameter 4mm. Length 100cm (39.4").

C155-01
SAFETY CABLE

Diameter 3,5mm. Length 70cm (27.6").

C155-02
SAFETY CABLE

Diameter 5mm. Length 70cm (27.6").

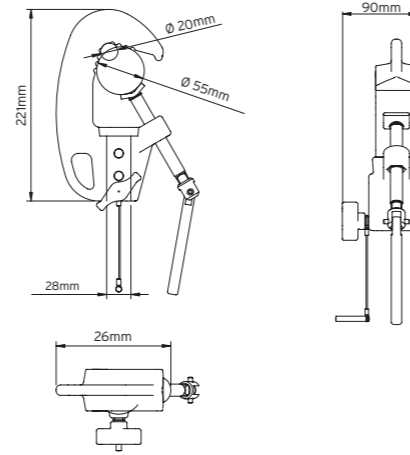


CLAMP SYSTEM

C100 JUNIOR PIPE CLAMP WITH 28MM SOCKET

📏 0,21kg / 0.51lb
⚖️ 250kg / 551.2lb
📏 28mm / 1" 1/8"
🏭 GC

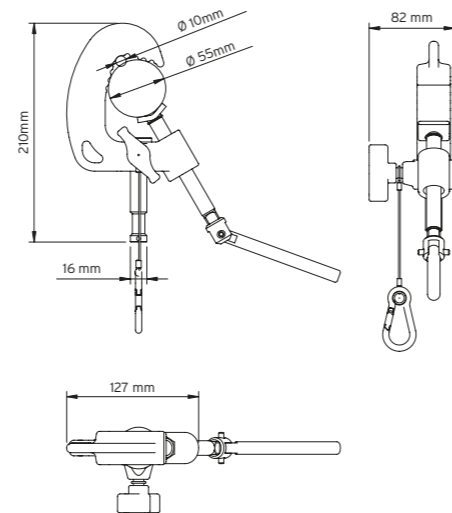
Works on diameters from 20mm to 55mm.



C210 BABY PIPE CLAMP WITH 16MM STUD

📏 0,62kg / 1.41lb
⚖️ 100kg / 220lb
📏 16mm / 5/8"
🏭 GC

Works on diameters from 10mm to 55mm.

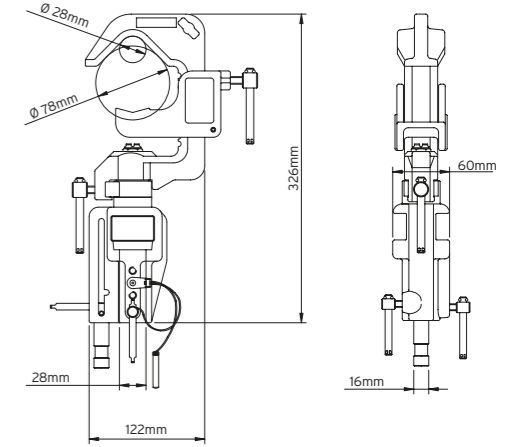


C150 SWIVELLING "C" CLAMP

📏 1,6kg / 3.5lb
⚖️ 10/75kg* / 22lb / 165.3lb
📏 28mm / 1" 1/8"
📏 16mm / 5/8"
🏭 GC

Works on diameters from 28mm to 78mm.

* 10kg (22lb) on 16mm (5/8") attachment, 75kg (165.3lb) on 28mm (1" 1/8) attachment.

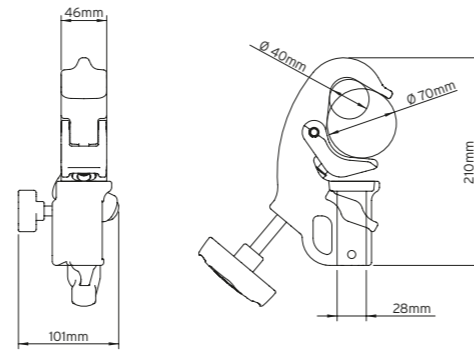


CLAMP SYSTEM

C337 28MM BUSHING QUICK ACTION JUNIOR CLAMP

1,43kg 3.2lb	100kg 220.5lb	28mm 1" 1/8"

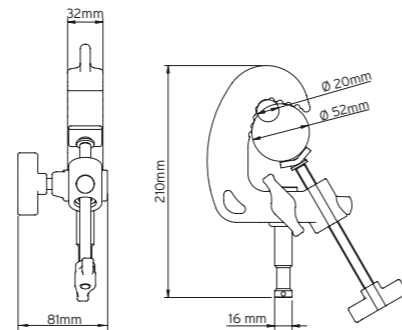
Made in gravity cast aluminum, this clamp is ideal to hang all types of luminaries in TV studios and theaters. Its incredible "coupling range" sets almost no limitations to its capability to clamp to almost all the industry standard pipe diameters. To meet all safety requirements, we have designed a dedicated slot for flexible steel safety cables. Supplied with T-top padded handle to improve grip. Pipe size 40-70mm.



C338 16MM PIN QUICK ACTION BABY CLAMP

0,9kg 2lb	50kg 110.2lb	16mm 5/8"

Very slim and lightweight, this version has been designed for small luminaries, virtually unlimited in application. To meet all safety requirements, we have designed a dedicated slot for flexible steel safety cables. Pipe size 20-52mm.



C345-1 BARREL CLAMP

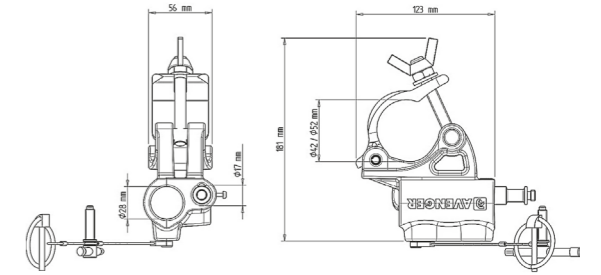
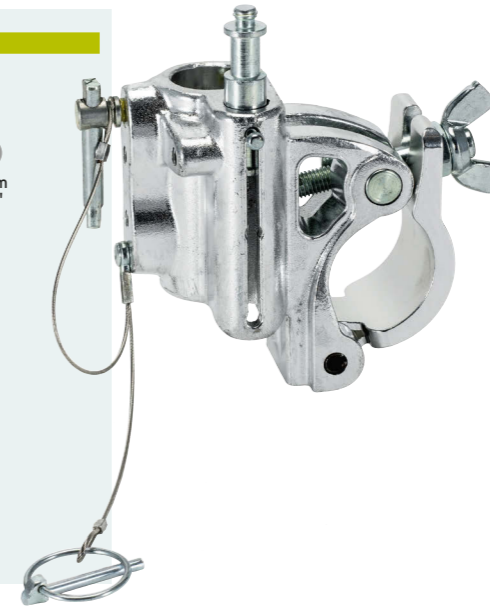
0,9kg 2lb	40/300kg* 88.2lb 661.4lb	28mm 1" 1/8"	16mm 5/8"	16mm 5/8"

1/4"

GC

Works on diameters from 42mm to 52mm.

* 40kg (88.2lb) on 16mm (5/8") attachment,
300kg (661.4lb) on 28mm (1" 1/8) attachment.



C345K-1 BARREL CLAMP AND KNOB

0,95kg 2.1lb	40/300kg* 88.2lb 661.4lb	28mm 1" 1/8"	16mm 5/8"	16mm 5/8"

1/4"

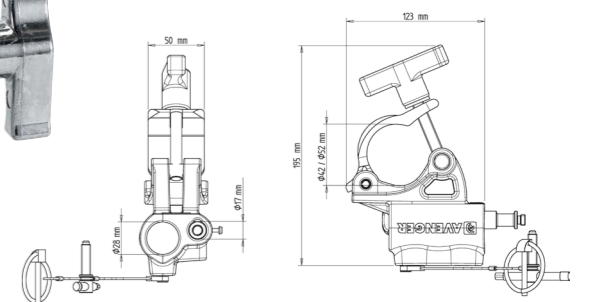
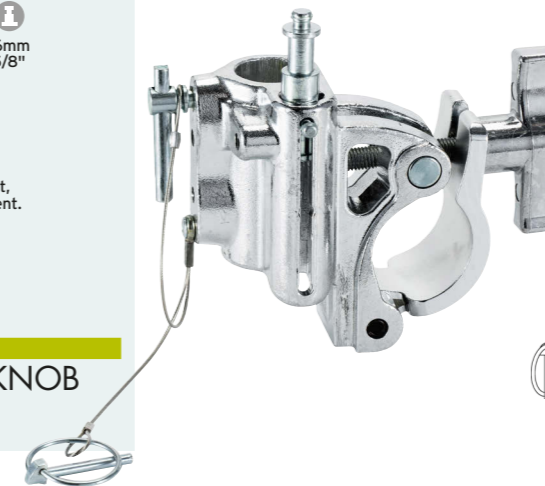
GC

Works on diameters from 42mm to 52mm.

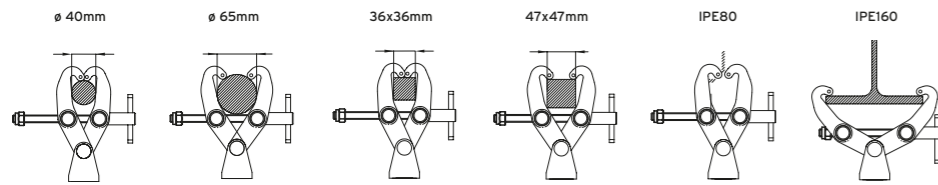
* 40kg (88.2lb) on 16mm (5/8") attachment,
300kg (661.4lb) on 28mm (1" 1/8) attachment.



C345BK BARREL CLAMP AND KNOB BLACK FINISH VERSION



CLAMP SYSTEM



Clamp Range: 40mm to 65mm

Clamp Range: 36mm to 47mm

Clamp Range: IPE 80 to IPE 160
HEB 80 to HEB 160

The Grab Clamp is flexible and fast to use thanks to its pincer jaw design and rapid locking and release mechanism. It can be fixed to a wider range of supports than traditional clamps and is suitable for use in TV, video and photographic studios, theatres and rigging structures. The Grab Clamp will hold all kinds of lights, scenery, monitors and much more besides. The Grab Clamp has been designed to be mounted on a wide range of beams, pipes and bars, whether round, square or rectangular in section. It needs no adapter - just open and clamp it.

C339
GRAB CLAMP

1,2kg 2.6lb	150kg 330.7lb	12,5mm hole

Supplied without attachment, but with a 12,5mm hole for custom fixings.



C339UH
DOUBLE GRIP HEAD

1,95kg 4.3lb	75kg 165.3lb	28mm 1" 1/8"	16mm 5/8"

Provided with a universal fixed (non-rotating) head.



C339BB
GRAB CLAMP WITH 16MM BUSHING

1,35kg 3lb	50kg 110.2lb	28mm 1" 1/8"

Comes with 16mm bushing complete with push button for extra-safe attachment.



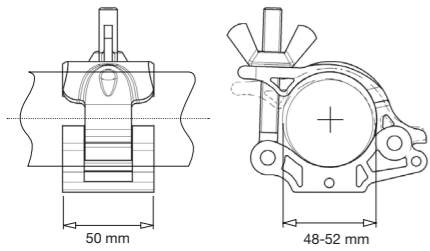
C339SP
GRAB CLAMP WITH SPINNING PULLEY

1,65kg 3.6lb	150kg 330.7lb	pulley

Fitted with a 100mm diameter pulley to offer a quick and robust hanging point for TV and theatre sceneries.



LP EYE COUPLER SYSTEM



EYE COUPLER family: safer, easier to use and lighter, with the reliability and high performance that you expect from Manfrotto. The new high-performance EYE COUPLER range has been developed with professional users' needs in mind. Improved safety, full TÜV certification, optimised ergonomic and unique design are the key features of new EYE COUPLERS, developed for professionals in entertainment and film industries.



C460-1 LP EYE COUPLER

0,36kg
0.8lb

220kg
485lb

13mm
hole

The base model of LP Eye Coupler for any customised application.



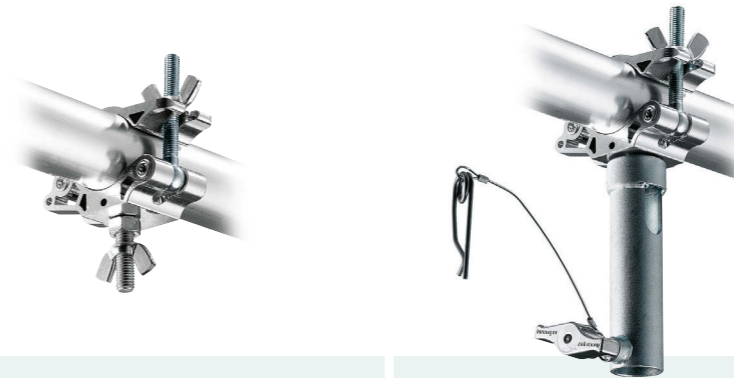
C461-1 LP EYE COUPLER WITH 28MM TV SPIGOT

0,57kg
1.3lb

220kg
485lb

28mm
1" 1/8

Supplied with 28mm spigot for TV/broadcast luminaires.



C464-1 LP EYE COUPLER WITH M12 BOLT PLUS NUT

0,40kg
0.9lb

300kg
661.4lb

M12x27

Supplied with M12 bolt and nut for custom solutions.



C465-1 LP EYE COUPLER WITH 28MM BUSHING

0,84kg
1.3lb

220kg
485lb

28mm
1" 1/8

Designed with 28mm bushing suitable for 2K+stirrup luminaires.



C462-1 LP EYE COUPLER WITH 16MM SPIGOT

0,41kg
0.9lb

220kg
485lb

16mm
5/8"

Designed with 16mm spigot suitable for lightweight luminaires.



C463-1 LP EYE COUPLER WITH LIFTING RING

0,55kg
1.2lb

220kg
485lb

eyebolt

Provided with lifting ring for multipurpose use with chains, wires and ropes.



C481-1 90° FIXED LP EYE COUPLER

0,76kg
1.7lb

300kg
661.4lb

Twin couplers fixed at 90° for firm, quick and easy interconnection for truss, bars or pipes.

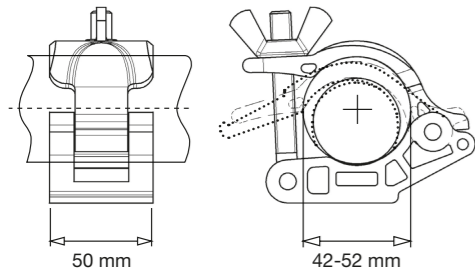
C482-1 SWIVEL LP EYE COUPLER

0,76kg
1.7lb

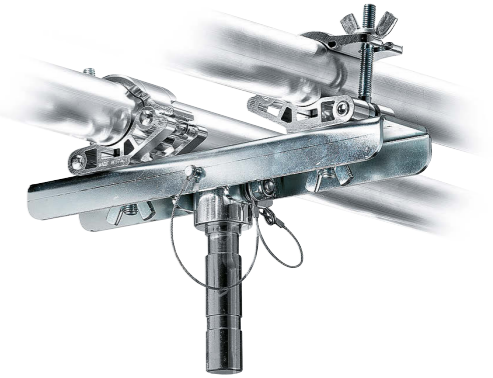
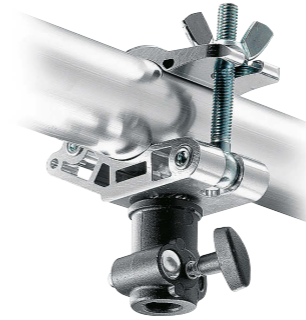
300kg
661.4lb

Twin couplers free to rotate 360° for firm, quick and easy interconnection for truss, bars or pipes.

MP EYE COUPLER SYSTEM



MP EYE COUPLERS: wider clamp range from 42 to 52mm and special flattened shape of lower jaw.



C4460-1 MP EYE COUPLER

0,39kg 300kg 12,5mm
0,9lb 661.4lb hole

The base model of MP Eye Coupler for any customised application.



C4461-1 MP EYE COUPLER WITH 28MM TV SPIGOT

0,60kg 300kg 28mm
1,3lb 661.4lb 1" 1/8

Supplied with 28mm spigot for TV/broadcast luminaires.



C4462-1 MP EYE COUPLER WITH 16MM SPIGOT

0,44kg 300kg 16mm
1lb 661.4lb 5/8"

Designed with 16mm spigot suitable for lightweight luminaires.



C4469 MP EYE COUPLER WITH 16MM BUSHING

0,52kg 500kg 16mm
1.1lb 1102.3lb 5/8"

Supplied with 16mm spigot for light fixing accessories.

C4482 SWIVEL MP EYE COUPLER

0,81kg
1.8lb

Twin couplers free to rotate 360° for firm, quick and easy coupling of trusses, bars or pipes.

C4485 MP EYE COUPLER SWIVEL AND TILT TRUSS SUPPORT 150-250

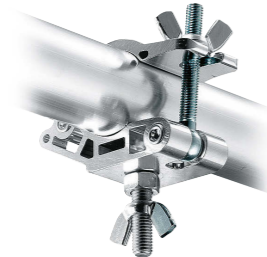
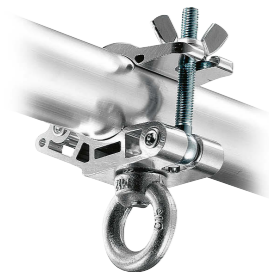
2,78kg 28mm
6.1lb 1" 1/8

Truss Support Coupler with a tilt/swivel connection to the stand pin. It avoids torsion and mounting problems when lifting a truss using two stands simultaneously. Min. Lenght 150mm (5.9"). Max. Lenght 250mm (9.8").

C4486 MP EYE COUPLER SWIVEL AND TILT TRUSS SUPPORT 200-400

2,85kg 28mm
6.3lb 1" 1/8

Min. Lenght 200mm (7.9"). Max. Lenght 400mm (15.7").



C4463-1 MP EYE COUPLER WITH LIFTING RING

0,58kg 300kg eyebolt
1.3lb 661.4lb

Provided with lifting ring for multipurpose use with chains, wires and ropes.



C4464-1 MP EYE COUPLER WITH M12 BOLT PLUS NUT

0,43kg 300kg M12x27
0.9lb 661.4lb

Twin couplers fixed parallel for firm, quick and easy interconnection for truss, bars or pipes.



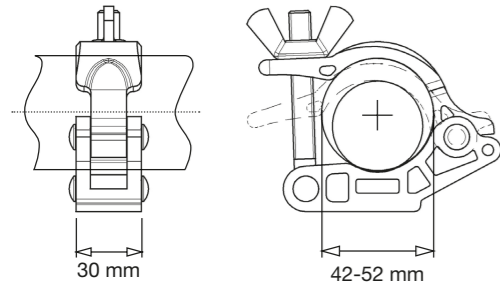
C4465-1 MP EYE COUPLER WITH 28MM BUSHING

0,87kg 250kg 28mm
1.9lb 485lb 1" 1/8

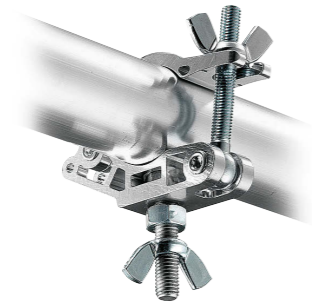
Designed with 28mm bushing suitable for 2K+ stirrup luminaires.



MP EYE COUPLER SYSTEM



MP SLIM EYE COUPLERS: same features as MP coupler, but narrower in profile and lighter in weight.



C4560-1 SLIM MP EYE COUPLER

0,26kg 180kg 12,5mm
0,6lb 396,8lb hole

The base model of MP slimlight version Eye Coupler.



C4564-1 MP EYE COUPLER 12MM BOLT + NUT

0,3kg 300kg M12x27mm
0,6lb 661,4lb

Supplied with M12 bolt and nut for custom solutions.



TELESCOPIC HANGER SYSTEM

C825 TELESCOPIC HANGER WITH UNIVERSAL HEAD

121cm 47.6in	201cm 79.1in	5,1kg 11.2lb	10/40kg 22/ 88.2lb	28mm 1" 1/8	16mm 5/8"

Max load with 16mm (5/8") spigot, 10/40kg (22/88.2lb).
Max load with 28mm (1" 1/8) socket, 40kg (88.2lb).

C827 LONG TELESCOPIC HANGER WITH UNIVERSAL HEAD

212cm 83.5in	381cm 150in	6,8kg 15lb	10/40kg 22/ 88.2lb	28mm 1" 1/8	16mm 5/8"

Max load with 16mm (5/8") spigot, 10/40kg (22/88.2lb).
Max load with 28mm (1" 1/8) socket, 40kg (88.2lb).



C820 TELESCOPIC HANGER WITH STIRRUP

117cm 46.1in	197cm 77.6in	5,4kg 11.9lb	40kg 88.2lb

Luminaire attachment - Stirrup Ø 40mm.

C822 LONG TELESCOPIC HANGER WITH STIRRUP

210cm 82.7in	379cm 149.2in	6,8kg 15lb	40kg 88.2lb

Luminaire attachment - Stirrup Ø 40mm.



C888UH TELESCOPIC HANGER WITH UNIVERSAL HEAD

76cm 29.9in	161cm 63.4in	5,6kg 12.3lb	10/40kg 22/ 88.2lb	28mm 1" 1/8	16mm 5/8"

Max load with 16mm (5/8") spigot, 10/40kg (22/88.2lb).
Max load with 28mm (1" 1/8) socket, 40kg (88.2lb).



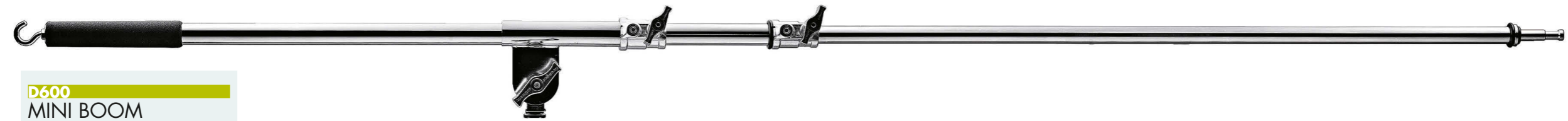
LIGHTING BOOMS SYSTEM



D570
EXTENSION ARM WITH SWIVEL PIN

📏 1,1kg 16mm
📏 2.4lb 5/8"

Arm length: 91cm (33.8").
 16mm (5/8") female stand attachment.



D600
MINI BOOM

📏 3,6kg 16mm
📏 7.9lb 5/8"

Min extension 117cm (46.6").
 Max load 30kg (66.1lb).
 Max extension 212cm (83.5").
 Max load 7kg (15.4lb).
 16mm (5/8") female stand attachment.

D600CB
MINI BOOM
 BLACK CHROME FINISH VERSION



D650
JUNIOR BOOM ARM

📏 14,8kg 28mm 16mm
📏 32.6lb 1" 1/8 5/8"

Min extension 163cm (64.2").
 Max load 40kg (88.2lb).
 Max extension 300cm (118.1").
 Max load 10kg (22lb).
 28mm (1" 1/8) male stand attachment.

PRODUCTS BELOW ARE AVAILABLE AS OPTIONAL



172
MINI COUNTERWEIGHT

📏 1,3kg
📏 2.9lb



023
L-PESO

📏 4,3kg
📏 9.5lb

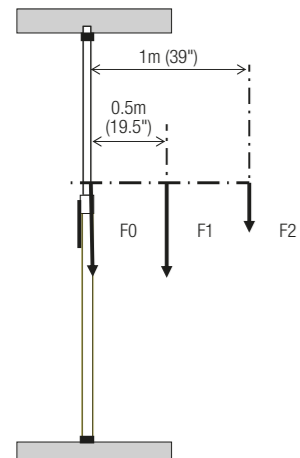
022
G-PESO

📏 6,7kg
📏 14.8lb

AUTOPOLE SYSTEM **AUTOPOLE**

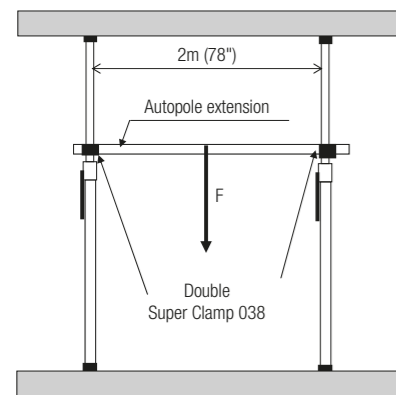
Unique cantilever single action locking system exerts pressure to securely wedge the rubber suction cup ends in place. Cantilever system incorporates safety lock. Floor to ceiling, or wall to wall fixing for strong vertical or horizontal support of lighting.

LOADING LIMITS
The following figures are valid for use with rigid floors and ceilings, and with the protection-cups mounted on the suction-cups.



F0: maximum axial load
F1: maximum load with 0.5m (19.5") arm
F2: maximum load with 1m (39") arm

Models	Load		
	F0	F1	F2
032	30kg / 66lb	30kg / 66lb	15kg / 33lb
076	30kg / 66lb	30kg / 66lb	15kg / 33lb
077	30kg / 66lb	30kg / 66lb	15kg / 33lb
432-2.7	24kg / 52lb	24kg / 52lb	12kg / 26lb
432-3.7	24kg / 52lb	24kg / 52lb	12kg / 26lb



Models	Load
	F
032	20kg / 44lb
076	20kg / 44lb
077	20kg / 44lb
432-2.7	20kg / 44lb
432-3.7	20kg / 44lb

077
AUTOPOLE

1,5kg
3.3lb

Extends from 100cm (39.4") to 170cm (66.9").
Pole Ø: 45mm and 40mm.

077B
AUTOPOLE
BLACK FINISH VERSION

076
AUTOPOLE

1,83kg
4lb

Extends from 150cm (59.1") to 270cm (106.3").
Pole Ø: 45mm and 40mm.

076B
AUTOPOLE
BLACK FINISH VERSION

032
AUTOPOLE

2,2kg
4.9lb

Extends from 210cm (82.7") to 370cm (145.7").
Pole Ø: 45mm and 40mm.

032B
AUTOPOLE
BLACK FINISH VERSION



077



076



032

432-2.7
AUTOPOLE 2

2,23kg
4.9lb

Two position variable thrust.
Extends from 150cm (59.1") to 270cm (106").
Pole Ø: 45mm and 40mm.

432-2.7B
AUTOPOLE 2
BLACK FINISH VERSION

432-3.7
AUTOPOLE 2

2,6kg
5.7lb

Two position variable thrust. Extends from 210cm (82.7") to 370cm (145.7").
Pole Ø: 45mm and 40mm.

432-3.7B
AUTOPOLE 2
BLACK FINISH VERSION

332-3.7B
MINI AUTOPOLE
BLACK FINISH VERSION



432-2.7



432-3.7



332-3.7B

AUTOPOLE SYSTEM **AUTOPOLE ACCESSORIES**



032BASE AUTOPOLE BASE

1,2cm
 86cm
 126kg
 2.6in 33.9in 49.6lb

For tubes: Ø 45mm.
Legs Ø: 22mm.

032BASEB AUTOPOLE BASE BLACK FINISH VERSION

032SPL AUTOPOLE SPIRIT LEVEL

ESpirit level for use on Autopole®, or on tubes of 25mm to 60mm diameter.



032PC AUTOPOLE PROTECTION CAPS

Set of four protection caps for rubber feet with inner hole. Ø: 16.5mm. Suitable for use with all Autopoles except Midi Autopole® 332 and Mini Pole 170.



034 EXTENSION TUBE

0,53kg
 1.2lb

Autopole® Extension tube. Ø: 40mm.
Length: 1,5m (59.1").
Suitable for Autopole2® and Autopole®.

034B EXTENSION TUBE BLACK FINISH VERSION

033 EXTENSION TUBE

0,69kg
 1.5lb

Autopole® Extension tube. Ø: 40mm.
Length: 2m (78.7").
Suitable for Autopole2® and Autopole®.

033B EXTENSION TUBE BLACK FINISH VERSION

170 MINI POLE

0,87kg
 1.9lb

Spring loaded mini pole.
Extends from 175cm (68.9") to 330cm (129.9).
Post Ø: 25mm and 28mm.

170 MINI POLE BLACK FINISH VERSION



034

033

170

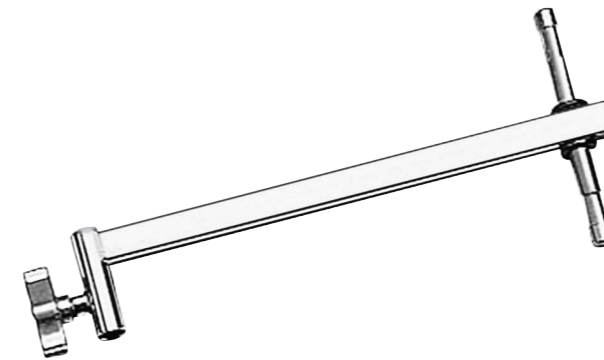
ARMS SYSTEM



F900
BABY TRIPLE HEADER
 5X16MM PIN / 16MM SOCKET

1,3kg
 2.9lb

Length: 65cm (25.6").



F600
BABY OFFSET ARM/TWIN
 16MM PIN / 16MM SOCKET

0,7kg
 1.5lb

16mm
 5/8"

16mm
 5/8"

Length: 38cm (15").



F100
JUNIOR OFFSET ARM
 28MM PIN / 28MM SOCKET

1,5kg
 3.3lb

28mm
 1" 1/8"

28mm
 1" 1/8"

Length: 50cm (19.7").



F1200
COLUMN ARM

3,1kg
 6.8lb

10kg
 22lb

16mm
 5/8"

28mm
 1" 1/8"

Length: 51cm (20.1").



D244N
VARIABLE FRICTION ARM

1,06kg
 2.3lb

3kg
 6.6lb

16mm
 5/8"

16mm
 5/8"

3/8" thread

1/4" thread

Articulated arm with large locking knob to lock all 3 movements.

PUMP CUP SYSTEM



F1000
PUMP CUP WITH 16MM
BABY SWIVEL SPIGOT

📏 1,1kg
📏 2,4lb
📏 2kg
📏 4,4lb
📏 16mm
📏 5/8"

Ideal for mounting small lights and camera systems onto flat, non-porous surfaces such as glass. A perfect tool for rigging car shoots.



F1100
PUMP CUP WITH 16MM
BABY FIXED SPIGOT

📏 0,7kg
📏 1,5lb
📏 2kg
📏 4,4lb
📏 16mm
📏 5/8"

Like the F1000, but with a fixed baby pin for added stability.



F809
BABY PLATE WITH 90° PIN

📏 0,65kg
📏 1,4lb
📏 16mm
📏 5/8"

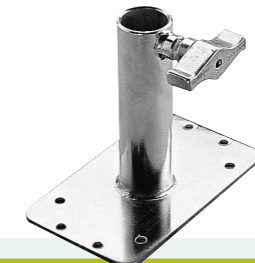
When a light stand or a clamp cannot be used to support fixtures, this baby plate with a right angle can be mounted on the wall.



F301
BABY WALL PLATE

📏 0,4kg
📏 0,9lb
📏 16mm
📏 5/8"

Baby plates allow for the quick mounting of fixtures in places where light stands and clamps cannot be used.



F300
JUNIOR WALL PLATE

📏 0,68kg
📏 1,5lb
📏 28mm
📏 1" 1/8"

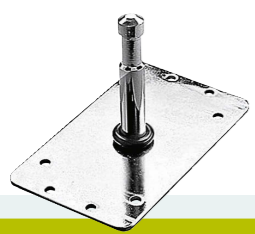
A wall plate with a junior receiver to mount larger fixtures.



F810
BABY PLATE WITH 16MM
SWIVEL SPIGOT

📏 0,8kg
📏 1,8lb
📏 16mm
📏 5/8"

Unique to the Avenger line, this baby plate allows fixtures to be fine-tuned with the built in swiveling baby pin.



F800
3" BABY WALL PLATE

📏 0,4kg
📏 0,9lb
📏 16mm
📏 5/8"

Baby plates allow for the quick mounting of fixtures in places where light stands and clamps cannot be used. Length 3".



F805
6" BABY WALL PLATE

📏 0,72kg
📏 1,6lb
📏 16mm
📏 5/8"

Baby plates allow for the quick mounting of fixtures in places where light stands and clamps cannot be used. Length 6".



F808
9" BABY WALL PLATE

📏 0,85kg
📏 1,9lb
📏 16mm
📏 5/8"

Baby plates allow for the quick mounting of fixtures in places where light stands and clamps cannot be used. Length 9".

ACCESSORIES



ACCESSORIES

027 STAND HOLDER

2,8kg
5.7lb

Holder for 8 light stands.
Width: 115cm.
Distance between fixing holes: 64.4cm.
Depth: 19cm.



A9000NB BRAKED WHEELS BLACK FINISH VERSION

3,3kg 90kg
7.3lb 198.4lb

Ø: 100mm for 25x25mm
square legs. Set of three.



A9000N BRAKED WHEELS

C155 SAFETY CABLE

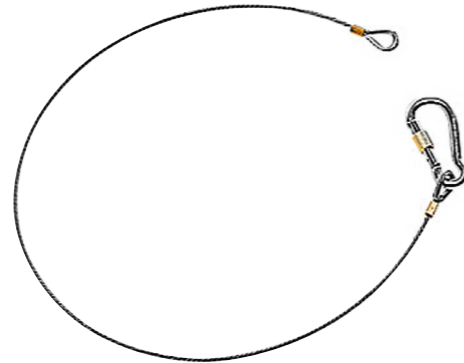
Diameter 4mm. Length 100cm (39.4").

C155-01 SAFETY CABLE

Diameter 3,5mm. Length 70cm (27.6").

C155-02 SAFETY CABLE

Diameter 5mm. Length 70cm (27.6").



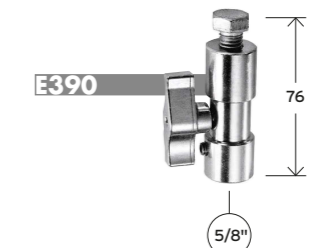
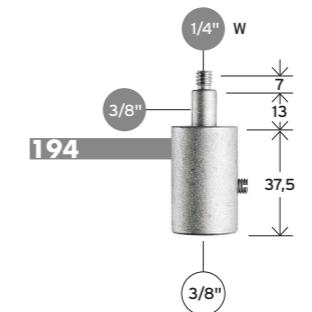
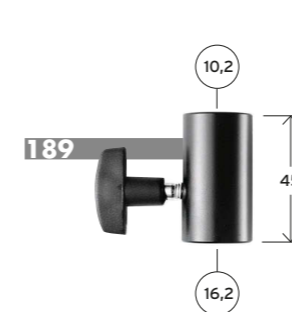
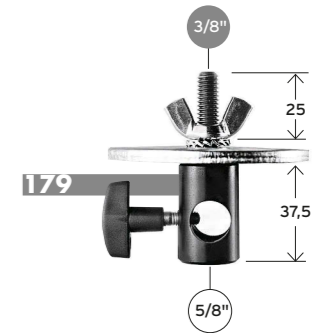
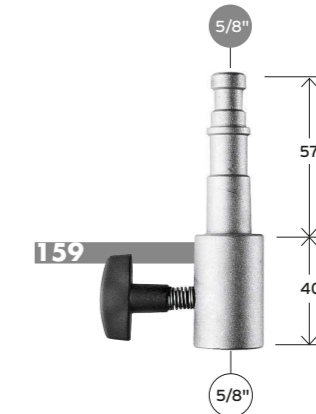
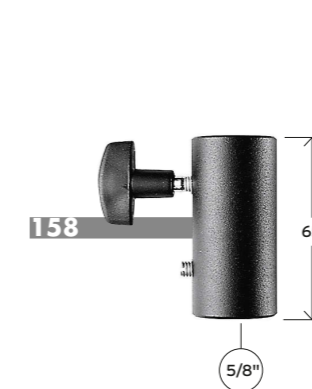
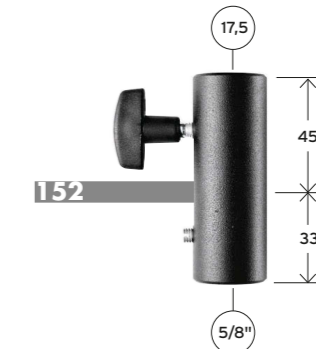
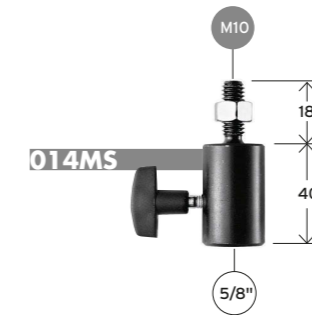
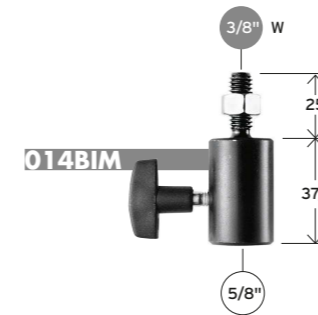
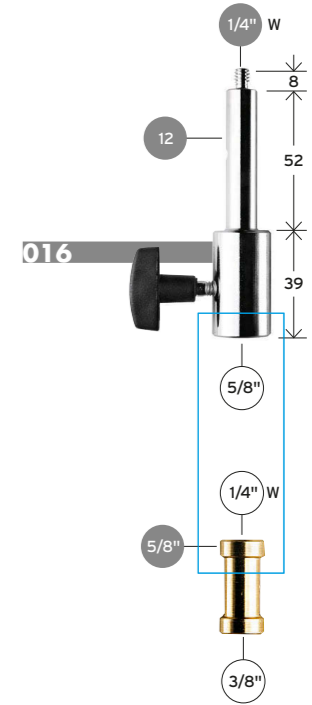
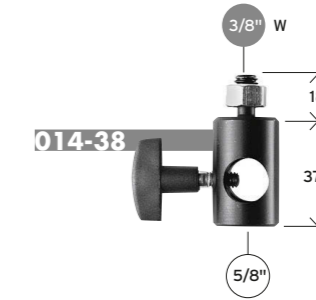
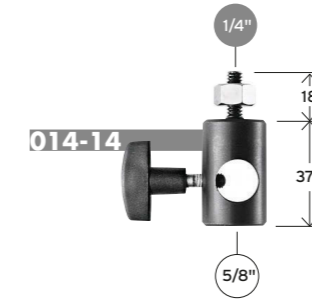
16mm - 5/8" FEMALE ADAPTERS

All measurements shown are metric unless otherwise stated.

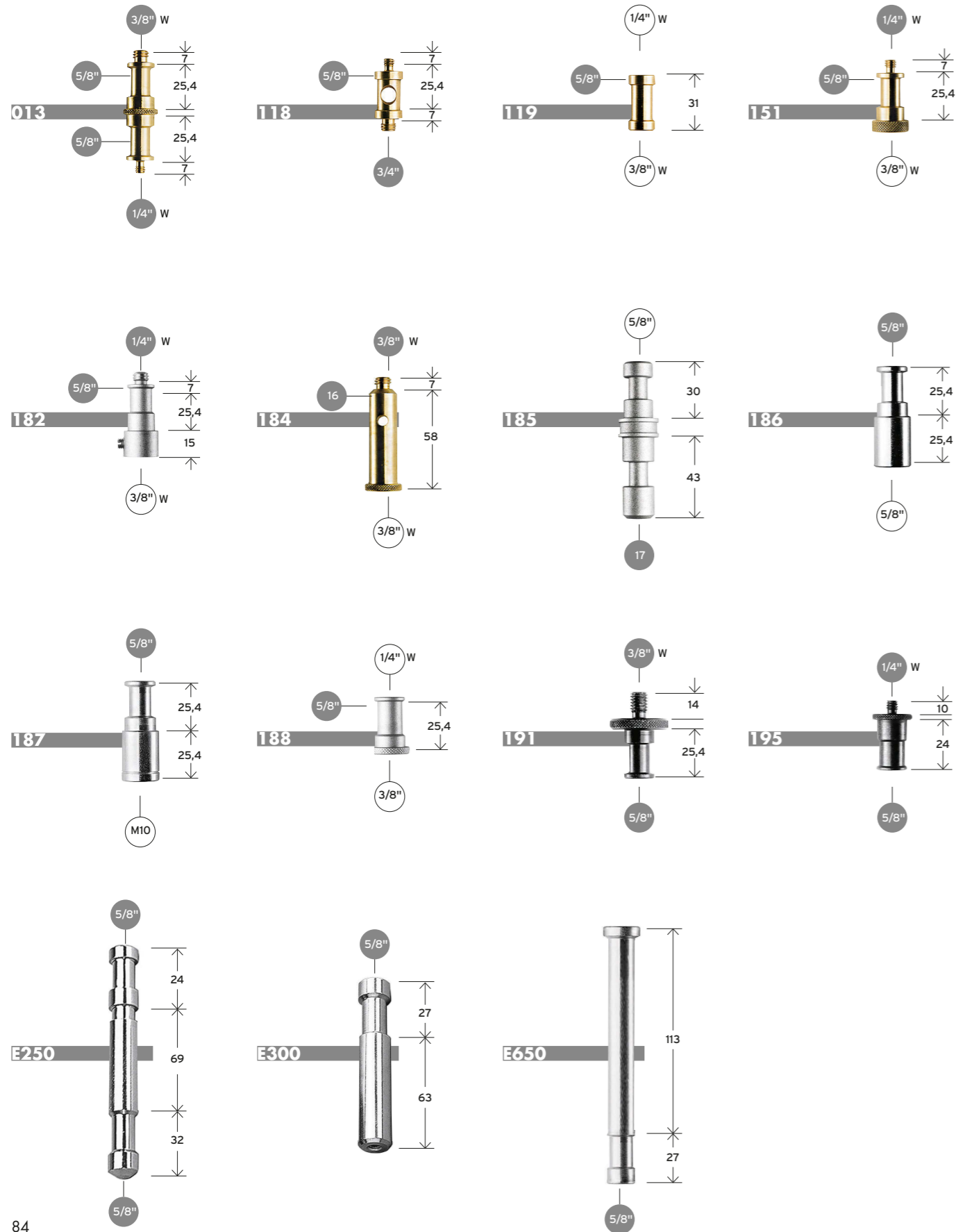
5/8" Indicates an external thread or stud diameter

5/8" Indicates an internal thread or socket diameter

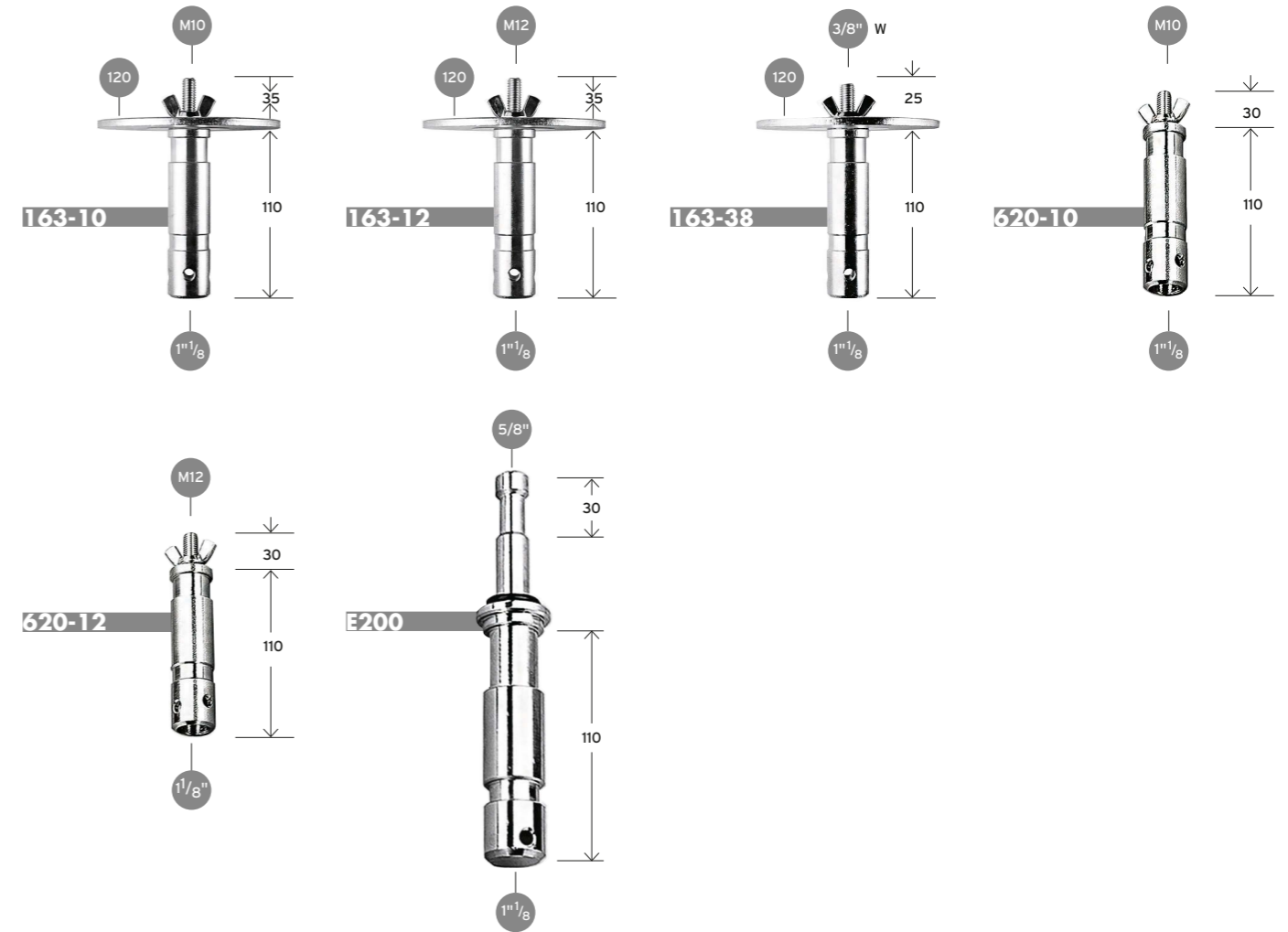
W Whitworth thread



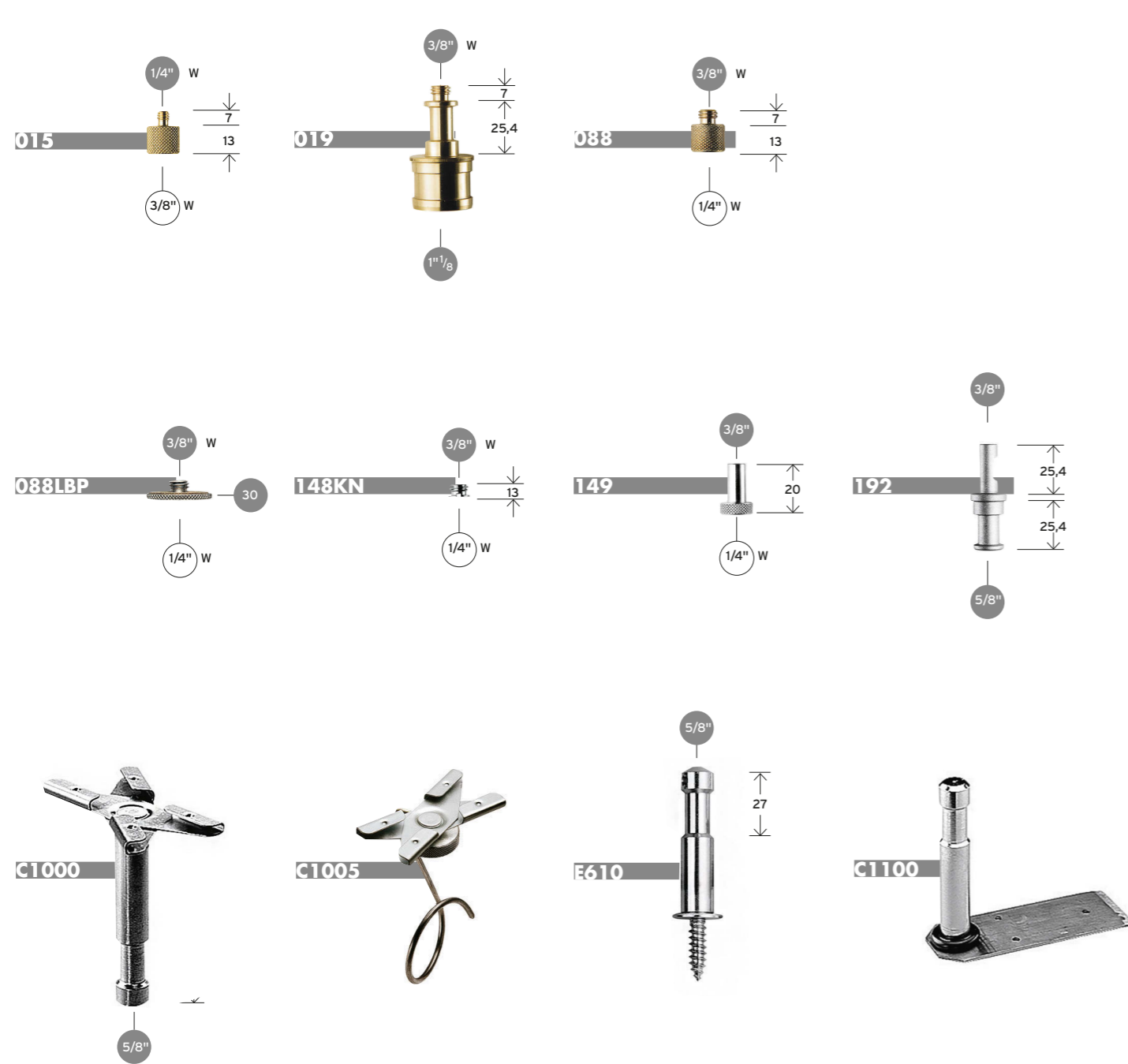
16mm 5/8" MALE ADAPTERS



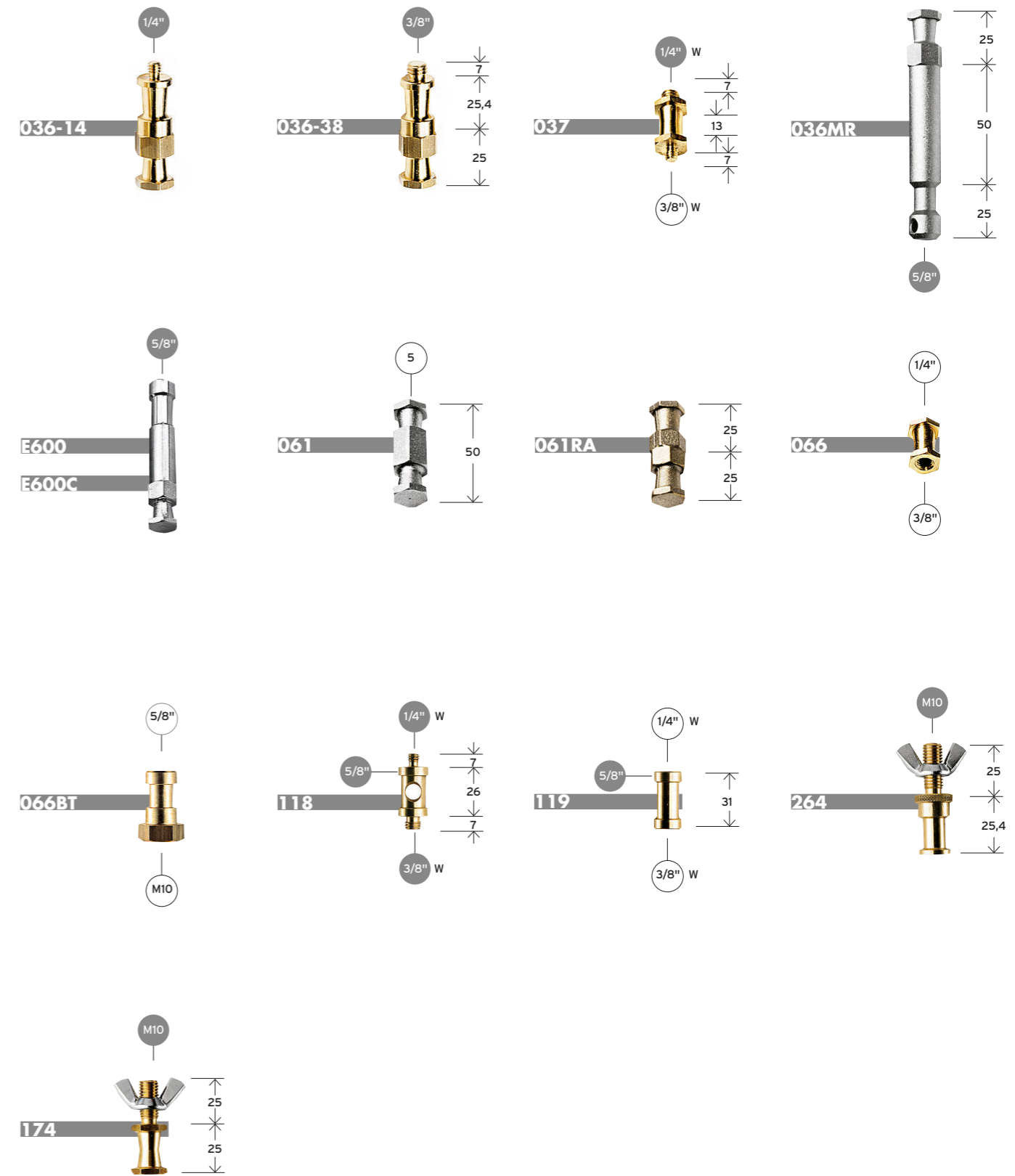
28mm 1" 1/8 MALE ADAPTERS



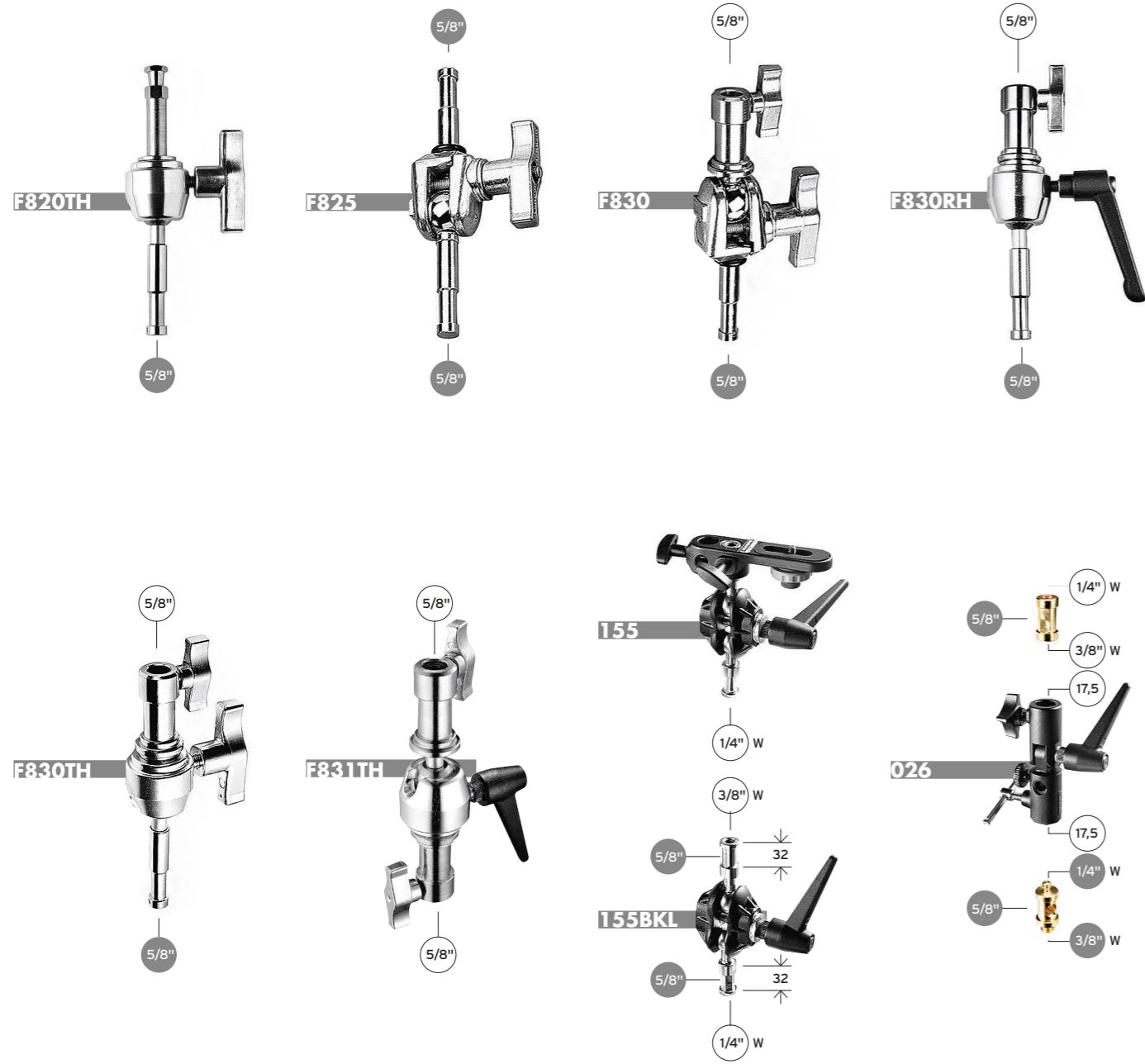
SPECIAL ADAPTERS



SUPER CLAMP ADAPTERS



SWIVELLING ADAPTERS



NOTE

KEY TO SYMBOLS

-  Minimum height
-  Maximum height
-  Closed length
-  Footprint diameter
-  Weight
-  Spigot size
-  Socket size
-  Grip head size
-  Suggested wheels
-  Maximum evenly distributed load on level ground
-  Gravity cast
-  TÜV SUD Certification

Avenger products are warranted to be fit for the purpose for which they have been designed, and to be free from defects in materials and workmanship.

AVENGER "STANDARD LIMITED WARRANTY".
The validity period of the Standard Limited Warranty is defined by applicable law in the country, state or region where the product is sold.
The instruction manual accompanying the product should be read carefully and the safety instructions followed to avoid accident or damage to the product or its user.
This warranty does not cover any defects or costs caused by misuse and subsequent damage.
Misuse is defined by, but not limited to, the cases described here below:

Modification, alteration, repair or service of this product by anyone other than an Avenger authorized agent.

Physical abuse to, overloading of, or misuse of, the product or operation thereof in a manner contrary to the instructions accompanying the product.

Failure to comply with care and maintenance instructions accompanying the product.

Any use of the product other than that for which it was designed.

Shipment of the product to the Avenger service department.

For more information on the warranty term in your country access to spare parts and other services please contact your local Country Distributor.
For any information please visit www.avengergrip.com

WARRANTY EXTENSION
Selected Avenger Products are eligible for a free Limited Conventional Warranty Extension from the date of purchase upon Online Product Registration. By simply registering your purchase with us, your product will receive the warranty extension, if applicable.

Please go to www.manfrotto.com into the warranty area of the website and register your product.

Whilst every effort has been made to ensure that the information contained within this catalogue is correct, Manfrotto accepts no liability for errors or omissions. Technical specifications and data are provided for guidance only. All rights are strictly reserved. Products shown in this catalogue are protected by international patents, while this publication (in whole or in part) without written consent from Avenger is strictly forbidden and punishable by law. Because we constantly aim to improve our products, we reserve the right to amend or alter at any time and without prior notice the specifications of any item detailed in this publication.

